



Luxury Lighted Mirrors

**UNICA**  
LUXURY LIGHTED MIRRORS  
*by Cantoni*

## **MDE MIRROR COLLECTION**

	The Collection and the mission	3
	I-light	4
	MDE Collection	5
	Standard dimensions	8
	Finishes	21
	Technical sheet	23
	Quality	25

## AND THERE WAS LIGHT. (BUT NOT A COMMON ONE)

The **light is perfect** if has the ability to create suggestions and wake up deep sensations. It is just this emotional light that is the **distinctive feature of Unica's complete range of lighted mirrors.**

Each mirror resulting from the Italian craftsmanship is a unique piece combining design, technological innovation and functionality harmoniously.

**Cantoni goal** is to support architects, interior designers and furniture companies in the creation of astonishing and highly functional bathrooms for luxury hotels, spa and residential facilities, thanks to mirrors subverting the usual rules and loosing their role of mere furnishings in order to become structural elements of space in which the light is the absolute protagonist..

## I-LIGHT: SYNTHESIS OF FUNCTIONALITY AND STYLE

The greatest ideas come from an endless passion and a patient and daily testing. That is why in Cantoni the contamination between design, research and experience has resulted in I-light technology.

**I-Light is a new lighting technology, Cantoni patented,** fully-integrated in the structure of every mirror of the Unica range and **recreating the colour rendering and the incidence of sunlight with absolute perfection.**

The light sources are **not light bulbs**, but lenses made of a highly-refractive, unbreakable material that are capable of spreading and shielding light in a perfectly even manner and completely enveloping the figure. Every single detail has been studied and analysed: from the distance between the light points to the uniformity of the light emission, paying the utmost care and attention to the **perfect colour gradation.**

Dimmable, low energy consumption, CE certified.



### I-light:.

- . Shade of light: 4200°kelvin degree
- . Lights life: 100.000h/min.
- . Required bulbs: none
- . Universal Power socket: 110V-240V
- . Integrated actuator

## **MDE mirror collection**

### **It's amazing what the right light can do**

Design: **Cantoni**

The aery surface of the mirror welcomes, in a precious setting, the curved profile of opalescent lenses, replicating with absolute perfection the chromatic shade of the sunlight.

A collection encasing, in its apparently simple lines, countless hours of study and research on the refraction of light.

MDE mirror line is successfull sythesis of functionality,advanced technology and a kind of sensual Hollywood appeal.

## MDE Mirror collection

Design: **Cantoni**

The MDE range is composed of wall mirrors with I-light diffused lighting in silver-backed float glass with 4 cm (1,4 inch) silver anodised aluminium linear profile and adjustable light intensity.



- . 40 mm profile in matt silver anodized aluminium
- . Mirror resistant to corrosion (10X) and scratches (3X)
- . Safety film
- . Dimmable I-light lenses
- . Kelvin: 4200°
- . Guaranteed lifetime hours 100,000/h
- . Integrated side actuator
- . 110-240V compatible
- . Low energy consumption
- . No photobiological risk
- . CE certification

**FURNISH THE BATHROOM**  
MDE505 Mirror 700X1020 mm

These mirror modules with simple and essential lines, designed for directional furnishing, thanks to low power consumption, simplicity of installation and absolute absence of heat emission, create suggestive and highly-functional corners in commercial spaces, hair styling salons, pharmacies and optician's shops.



- . 10 standard sizes (see page 8)
- . Made-to-measure and made-to-order products too.
- . Min. size 410mm
- . Max. size 1850mm
- . Max 30 I-light lighting sources
- . Side-by-side modular elements
- . Customisable with customer logo
- . Also available modules without lights
- . Also available as compact table mirror (2 sizes)

### FURNISH THE PHARMACY

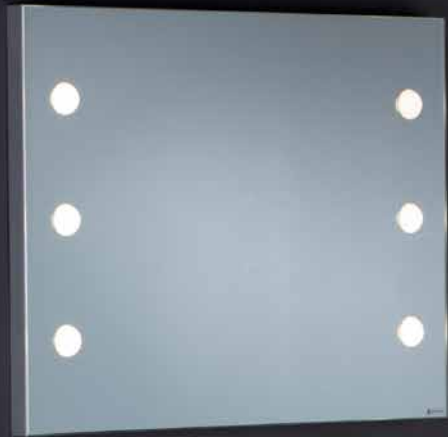
MDE505 stand alone mirror 700x1020  
Astrea chair S104

# STANDARD DIMENSIONS

Unica | MDE Line

---





## MDE501

Design: **Cantoni**

High-tech, 4 mm thick mirror with **6 I-light lenses** set into the mirror

Dimensions: 800x600x40 mm

Profile: silver anodized aluminium

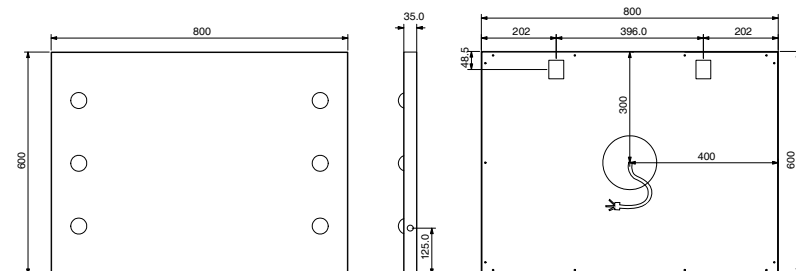
Integrated side-mounted actuator for adjusting the brightness

Safety Film

Voltage: 110-240 V AC, 50/60Hz

Insulation class: Class 1

Power consumption: 25W MAX



## MDE502

Design: **Cantoni**

High-tech, 4 mm thick mirror with **12 I-light lenses** set into the mirror

Dimensions: 1020x700x40 mm

Profile: silver anodized aluminium

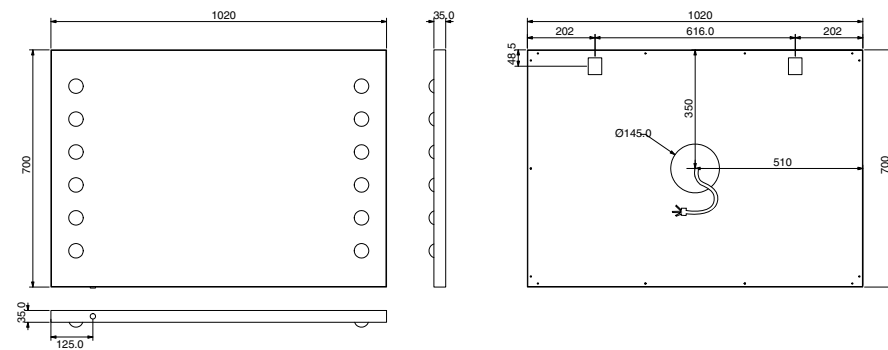
Integrated side-mounted actuator for adjusting the brightness

Safety Film

Voltage: 110-240 V AC, 50/60Hz

Insulation class: Class 1

Power consumption: 50W MAX



## MDE505

Design: **Cantoni**

High-tech, 4 mm thick mirror with **12 I-light lenses** set into the mirror

Dimensions: 700x1020x40 mm

Profile: silver anodized aluminium

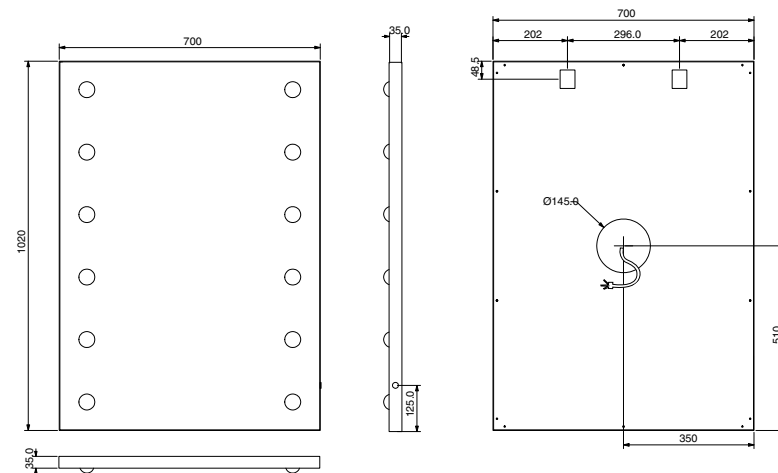
Integrated side-mounted actuator for adjusting the brightness

Safety Film

Voltage: 110-240 V AC, 50/60Hz

Insulation class: Class 1

Power consumption: 50W MAX





## MDE510

Design: **Cantoni**

High-tech, 4 mm thick mirror with **6 I-light lenses** set into the mirror

Dimensions: 1000x600x40 mm

Profile: silver anodized aluminium

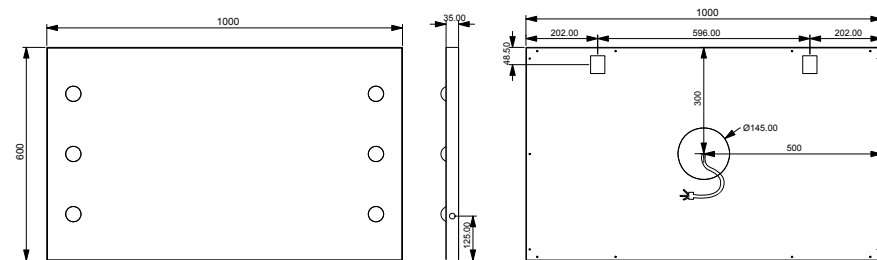
Integrated side-mounted actuator for adjusting the brightness

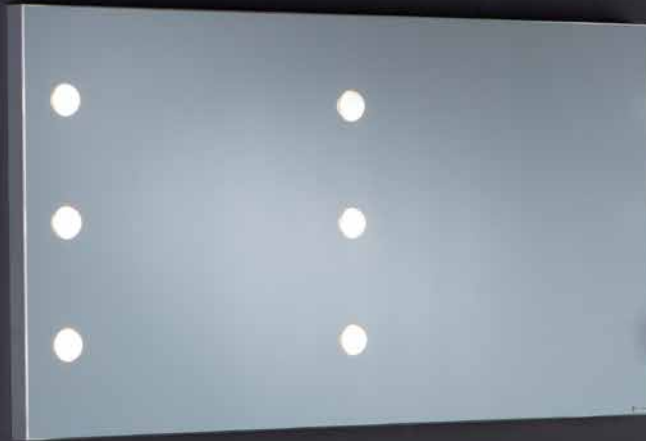
Safety Film

Voltage: 110-240 V AC, 50/60Hz

Insulation class: Class 1

Power consumption: 25W MAX





## MDE511

Design: **Cantoni**

High-tech, 4 mm thick mirror with **6 I-light lenses** set into the mirror

Dimensions: 1200x600x40 mm

Profile: silver anodized aluminium

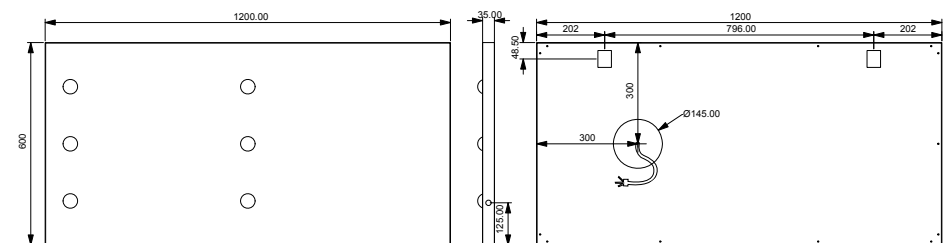
Integrated side-mounted actuator for adjusting the brightness

Safety Film

Voltage: 110-240 V AC, 50/60Hz

Insulation class: Class 1

Power consumption: 25W MAX



## MDE512

Design: **Cantoni**

High-tech, 4 mm thick mirror with **6 I-light lenses** set into the mirror

Dimensions: 1200x600x40 mm

Profile: silver anodized aluminium

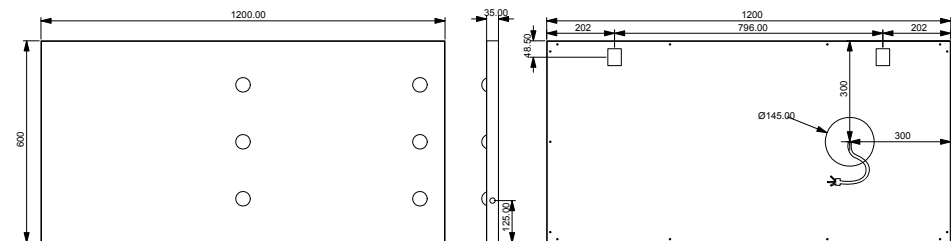
Integrated side-mounted actuator for adjusting the brightness

Safety Film

Voltage: 110-240 V AC, 50/60Hz

Insulation class: Class 1

Power consumption: 25W MAX





## MDE513

Design: **Cantoni**

High-tech, 4 mm thick mirror with **6 I-light lenses** set into the mirror

Dimensions: 1200x600x40 mm

Profile: silver anodized aluminium

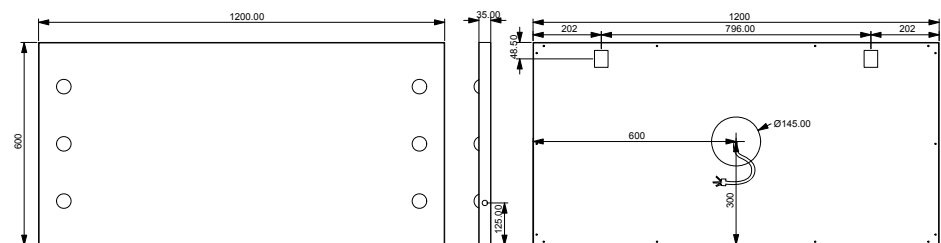
Integrated side-mounted actuator for adjusting the brightness

Safety Film

Voltage: 110-240 V AC, 50/60Hz

Insulation class: Class 1

Power consumption: 25W MAX



## MDE516

Design: **Cantoni**

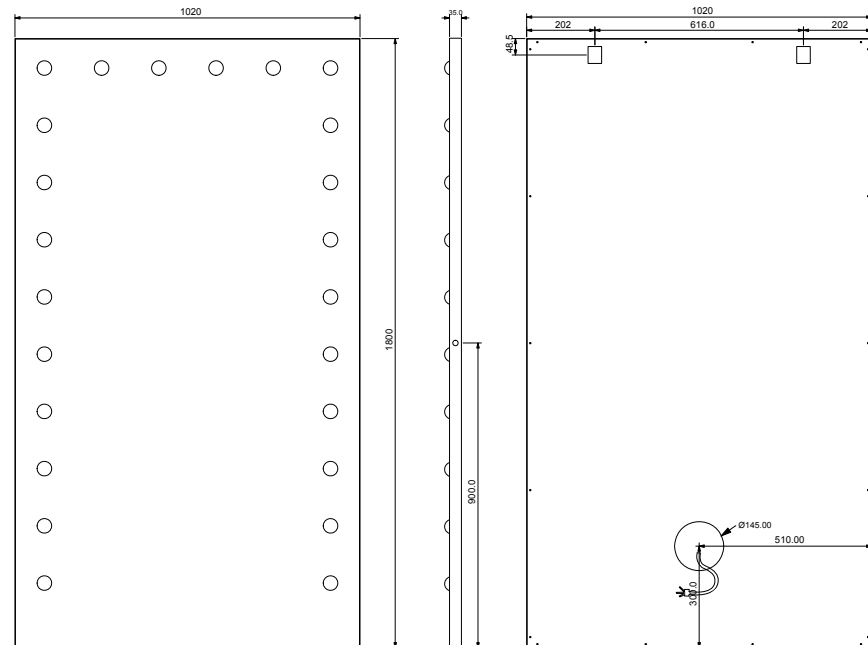
High-tech, 4 mm thick mirror with **24 I-light lenses** set into the mirror

Dimensions: 1020x1800x40 mm

Profile: silver anodized aluminium

Integrated side-mounted actuator for adjusting the brightness

Safety Film



Voltage: 110-240 V AC, 50/60Hz  
 Insulation class: Class 1  
 Power consumption: 100W MAX



## MDE505-STAND ALONE

Design: **Cantoni**

High-tech, 4 mm thick mirror with **6 I-light lenses** set into the mirror

Dimensions: 700x1020x40 mm

Profile: silver anodized aluminium

Integrated side-mounted actuator for adjusting the brightness

Safety Film

Rear panel in ABS and aluminium

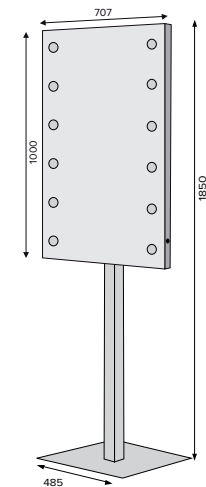
Support stand in anodized aluminium

Methacrylate shelf

Voltage: 110-240 V AC, 50/60Hz

Insulation class: Class 1

Power consumption: 50W MAX





**FURNISH THE BATHROOM**

MDE100 Mirror Diam 1000x44 mm

## MDE100

Design: **Cantoni**

High-tech, 4 mm thick mirror with **12 I-light lenses** set into the mirror

Dimensions: Diameter 1000x44 mm

Structure in shaped MDF, edging in silver veneer

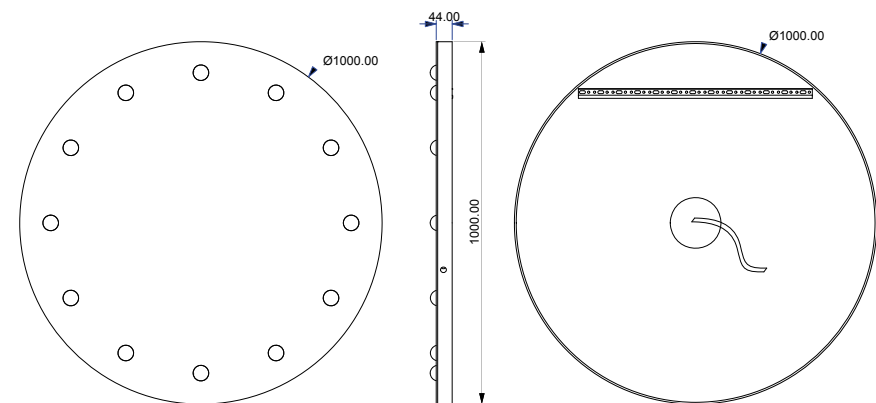
Integrated side-mounted actuator for adjusting the brightness

Safety Film

Voltage: 110-240 V AC, 50/60Hz

Insulation class: Class 1

Power consumption: 50W MAX



## MDE80

Design: **Cantoni**

High-tech, 4 mm thick mirror with **6 I-light lenses** set into the mirror

Dimensions: Diameter 800x44 mm

Structure in shaped MDF, edging in silver veneer

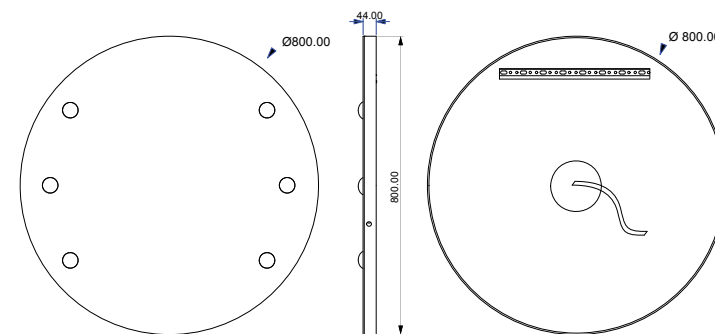
Integrated side-mounted actuator for adjusting the brightness

Safety Film

Voltage: 110-240 V AC, 50/60Hz

Insulation class: Class 1

Power consumption: 25W MAX





# FINISHES

Unica | MDE Line

---



**Standard Anodized Finish (\*)**

ACH  
Matt chemical silver

**Non-standard paint finishes**



Matt or glossy paint (ref. RAL  
range of colours)



Gold

\* Non-standard and not available for MDE100 and MDE80

Cantoni will assess feasibility, methods, costs and times for the customisation of products on a case-by-case basis.

# TECHNICAL SHEET

Unica | MDE Line

---



**STRUCTURE**

6060-T5 non-deformable aluminium

**MIRRORS**

High-tech, 4 mm thick mirrors

Ten times more resistant to corrosion

Three times more resistant to scratches compared to conventional mirrors

Does not contain copper or formaldehyde and complies with the criteria set forth in the European RoHS Directive (< 0.1% of lead)

Long-lasting in typically damp environments

Safety Film

**I-LIGHT TECHNOLOGY (patented)**

The light lenses, set directly into the reflective surface, cut with high-precision instruments, diffuse light generated by I-Light technology incorporated into the structure of the mirror.



Each I-LIGHT module is composed of three light lenses.

Each mirror has at least six lenses, composed of two I-LIGHT modules with three light lenses each. Up to thirty lenses can be fitted, composed of ten I-LIGHT modules with three light lenses each.

Light gradation 4200° kelvin

Guaranteed life cycle: 100,000/h

Low energy consumption

Photobiological hazard: none

Actuator:

Quick touch = on/off the light

Press and hold = brightness +/-



Natural light  
4200° Kelvin



Light  
adjustment



No bulbs  
required



Input  
110-240 V



Safety  
Film



Low energy  
consumption



CE  
conformity



## TECHNICAL SPECIFICATIONS FOR THE DEVICE

TYPE:	Mirror with 6 light points	Mirror with 9 light points	Mirror with 12 light points	Mirror with 18 light points	Mirror with 21 light points	Mirror with 24 light points	Mirror with 30 light points
MODEL:	MDE501 - MDE510 MDE511 - MDE512 MDE513 - MDE514 MDE80	On request	MDE502- MDE505 MDE509 - MDE100	MDE515	MDE508	MDE516	On request
VOLTAGE:	110/240 Vac 50/60 Hz	110/240 Vac 50/60 Hz	110/240 Vac 50/60 Hz	110/240 Vac 50/60 Hz	110/240 Vac 50/60 Hz	110/240 Vac 50/60 Hz	110/240 Vac 50/60 Hz
CURRENT:	106 mA max	159 mA max	212 mA max	318 mA max	370 mA max	424 mA max	560 mA max
POWER:	25 W max	38 W max	50 W max	75 W max	88 W max	100 W max	125 W max
POWER FACTOR 240Vac, 60Hz:	Cosφ = 0,95	Cosφ = 0,95	Cosφ = 0,95	Cosφ = 0,95	Cosφ = 0,95	Cosφ = 0,95	Cosφ = 0,95

The light source contained in this equipment may only be replaced by the manufacturer , its service department or equivalent qualified personnel.

Device for indoor use only , IP20

The device is designed to operate within a temperature range of 0-40°C (Ta)

## LED CHARACTERISTICS:

- Brand of origin: CANTONI TRADING SRL
- Model: module Led
- Power voltage and tension: 28.3 Vdc, 0.325A
- Total nominal power: 9.2 W
- Position and purpose of the connections: on the LED module
- tc: 55 ° C
- Photobiological hazard: none

**CE conformity declaration**

Complies with the essential requirements of EU directives applicable to the product: Low Voltage Directive 2014/35/EU, Electromagnetic Compatibility Directive 2014/30/EU and ROHS Directive 2011/65/EU, when installed in compliance with these instructions..

All products by Cantoni are made in Italy with carefully selected materials.

Each product is the result of a careful study to ensure the best balance between aesthetics and technology.  
The authenticity of each piece by Cantoni is ensured by our trademark.

We are always available to respond to every request and question about products.  
Our technical department is then available for custom projects

PLEASE NOTE:

Cantoni reserves the right to modify at any time the items in the catalogue for technical or commercial purposes.  
Shipments are made from our offices in San Marino



**CANTONI TRADING SRL**

Headquarters and Showroom

Via Guardia di Rocca 10 - 47899 Galazzano - Rep. San Marino

Tel. +378 0549 977527 - Fax +378 0549 876501

[info@lineaunica.com](mailto:info@lineaunica.com)

[www.lineaunica.com](http://www.lineaunica.com)