



Luxury Lighted Mirrors

**UNICA**  
LUXURY LIGHTED MIRRORS  
*by Cantoni*

# MH MIRROR COLLECTION

	The Collection and the mission	3
	I-light	4
	MH Collection	5
	Standard dimensions	9
	Finishes	29
	Technical sheet	31
	Quality	34

## AND THERE WAS LIGHT. (BUT NOT A COMMON ONE)

The **light is perfect** if has the ability to create suggestions and wake up deep sensations. It is just this emotional light that is the **distinctive feature of Unica's complete range of lighted mirrors.**

Each mirror resulting from the Italian craftsmanship is a unique piece combining design, technological innovation and functionality harmoniously.

**Cantoni goal** is to support architects, interior designers and furniture companies in the creation of astonishing and highly functional bathrooms for luxury hotels, spa and residential facilities, thanks to mirrors subverting the usual rules and loosing their role of mere furnishings in order to become structural elements of space in which the light is the absolute protagonist.

## I-LIGHT: SYNTHESIS OF FUNCTIONALITY AND STYLE

The greatest ideas come from an endless passion and a patient and daily testing. That is why in Cantoni the contamination between design, research and experience has resulted in I-light technology.

**I-Light is a new lighting technology, Cantoni patented,** fully-integrated in the structure of every mirror of the Unica range and **recreating the colour rendering and the incidence of sunlight with absolute perfection.**

The light sources are **not light bulbs**, but lenses made of a highly-refractive, unbreakable material that are capable of spreading and shielding light in a perfectly even manner and completely enveloping the figure. Every single detail has been studied and analysed: from the distance between the light points to the uniformity of the light emission, paying the utmost care and attention to the **perfect colour gradation.**

Dimmable, low energy consumption, CE certified



### I-light:.

- . Shade of light: 4200°kelvin degree
- . Lights life: 100.000h/min.
- . Required bulbs: none
- . Universal Power socket: 110V-240V
- . Integrated actuator

## MH mirror collection

### You flood me with light of the immense

Design: **Cantoni**

The application of an aesthetic concept developed around a particular constructive curved geometry to the intrinsic strength of the aluminium gives lightness and movement to the glass. A stylistically-impeccable formal research wisely mixes elements of classicism and modernity to create refined spaces that are surprising but comfortable.

The opal lens, directly embedded into the reflecting surface and carved with high-precision instruments, spread the light created by the I-light integrated technology (Brightness 4200° K) in a thickness of only 2.55 inches (6.5 cm).

## MH range of mirrors

Design: **Cantoni**

The MH range comprehends mirror with direct and indirect lighting in silvered-back float glass enclosed in an anodised aluminium frame with convex profile capable of spreading the emission of RGB backlight folding away the inner profile with a 180° range.



- . 65 mm frame in anodized aluminium
- . Mirror resistant to corrosion (10X) and scratches (3X)
- . Safety film
- . I-light dimmable light lenses
- . Kelvin: 4200°
- . Guaranteed lifetime hours 100,000/h
- . RF control of RGB backlighting
- . Integrated side actuator
- . 110-240V compatible
- . Low energy consumption
- . No photobiological risk
- . CE certification

FURNISH THE HAIRSTYLE SALONS

MH05 Mirror 1020X1800 mm

These objects with a refined design are real sculptures that catch the eyes and blend in any space, embellishing it with reflections.

**FURNISH THE HOTEL ROOMS**

MH05 Mirror 1020X1800 mm





**FURNISH THE BATHROOM**

MH01 Mirror 1020X700 mm



- . 13 Standard sizes (see pag. 9)
- . Made-to-measure and made-to-order products too
- . Min. size 700mm
- . Max. size 1850mm
- . Max. 30 I-light lighting sources



# STANDARD DIMENSIONS

Unica | MH line

---

## MH01

### Divino

Design: **Cantoni**

High-tech, 4 mm thick mirror with **12 I-light lenses** set into the mirror

Dimensions: 1020x700x65 mm

Profile: silver anodized aluminium

Integrated side-mounted actuator for adjusting the brightness

Safety Film

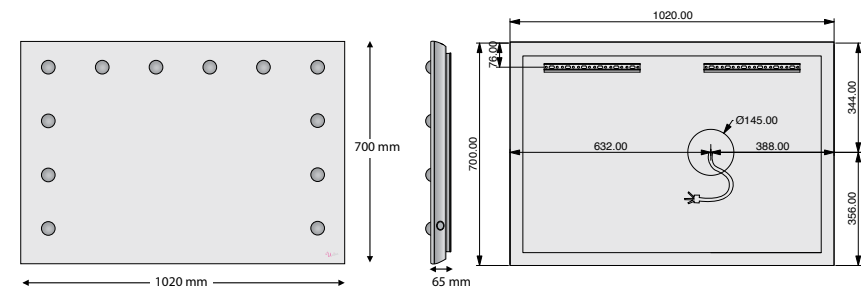
RGB-LED backlighting with RF controller

Voltage: 110-240 V AC, 50/60Hz

Insulation class: Class 1

Power consumption without RGB: 50W MAX

Power consumption with RGB module: 86W



## MH01XL Divino XL

Design: **Cantoni**

High-tech, 4 mm thick mirror with **18 I-light lenses** set into the mirror

Dimensions: 1400x1020x65 mm

Profile: silver anodized aluminium

Integrated side-mounted actuator for adjusting the brightness

Safety Film

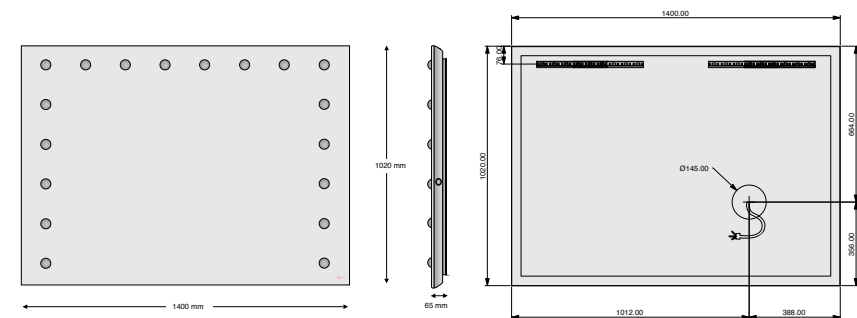
RGB-LED backlighting with RF controller

Voltage: 110-240 V AC, 50/60Hz

Insulation class: Class 1

Power consumption without RGB: 75W MAX

Power consumption with RGB module: 122W



## MH03 Star

Design: **Cantoni**

High-tech, 4 mm thick mirror with **12 I-light lenses** set into the mirror

Dimensions: 700x1020x65 mm

Profile: silver anodized aluminium

Integrated side-mounted actuator for adjusting the brightness

Safety Film

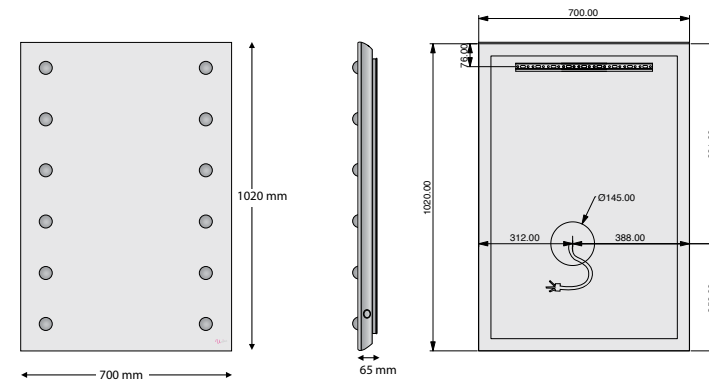
RGB-LED backlighting with RF controller

Voltage: 110-240 V AC, 50/60Hz

Insulation class: Class 1

Power consumption without RGB: 50W MAX

Power consumption with RGB module: 86W



## MH04 Venere

Design: **Cantoni**

High-tech, 4 mm thick mirror with **12 I-light lenses** set into the mirror

Dimensions: 1020x1020x65 mm

Profile: silver anodized aluminium

Integrated side-mounted actuator for adjusting the brightness

Safety Film

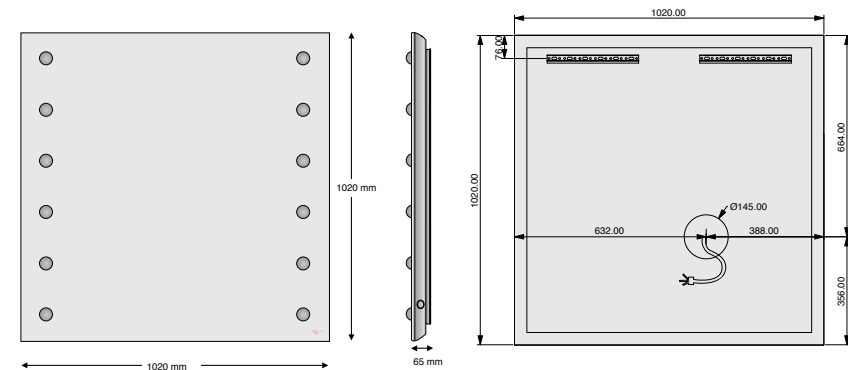
RGB-LED backlighting with RF controller

Voltage: 110-240 V AC, 50/60Hz

Insulation class: Class 1

Power consumption without RGB: 50W MAX

Power consumption with RGB module: 86W





**FURNISH THE BATHROOMS**

MH01XL Mirror 1400X1020 mm



## MH05 Broadway

Design: **Cantoni**

High-tech, 4 mm thick mirror with **24 I-light lenses** set into the mirror

Dimensions: 1020x1800x65 mm

Profile: silver anodized aluminium

Integrated side-mounted actuator for adjusting the brightness

Safety Film

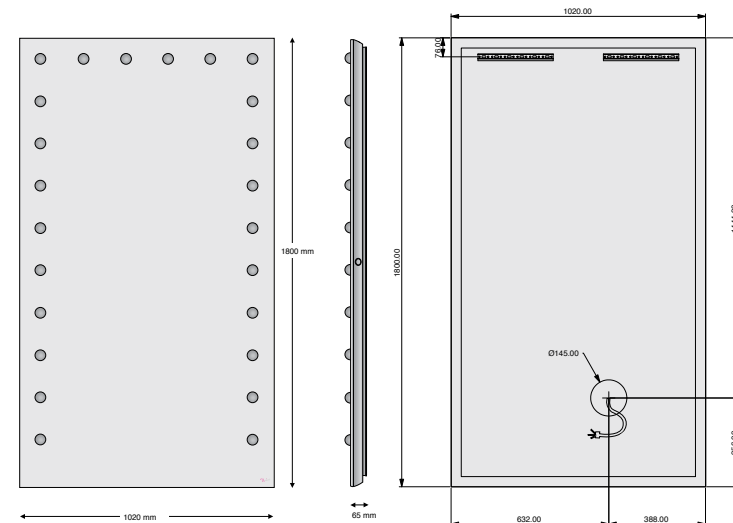
RGB-LED backlighting with RF controller

Voltage: 110-240 V AC, 50/60Hz

Insulation class: Class 1

Power consumption without RGB: 100 W MAX

Power consumption with RGB module: 164W



## MH06

### Narciso

Design: **Cantoni**

High-tech, 4 mm thick mirror with **12 I-light lenses** set into the mirror

Dimensions: 700x700x65 mm

Profile: silver anodized aluminium

Integrated side-mounted actuator for adjusting the brightness

Safety Film

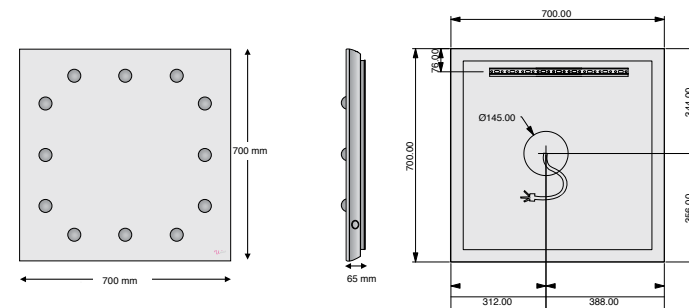
RGB-LED backlighting with RF controller

Voltage: 110-240 V AC, 50/60Hz

Insulation class: Class 1

Power consumption without RGB: 50W MAX

Power consumption with RGB module: 86W





## MH07 Operà

Design: **Cantoni**

High-tech, 4 mm thick mirror with **6 I-light lenses** set into the mirror

Dimensions: 700x700x65 mm

Profile: silver anodized aluminium

Integrated side-mounted actuator for adjusting the brightness

Safety Film

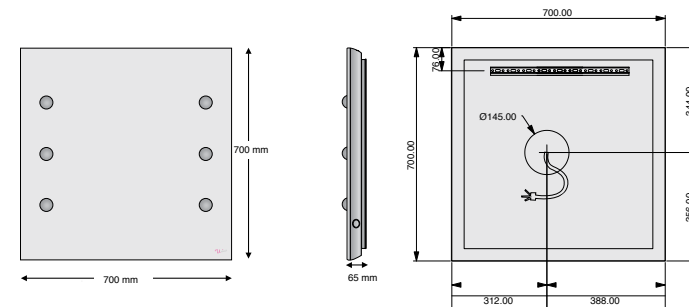
RGB-LED backlighting with RF controller

Voltage: 110-240 V AC, 50/60Hz

Insulation class: Class 1

Power consumption without RGB: 25W MAX

Power consumption with RGB module: 53W



## MH08.0 Hollywood

Design: **Cantoni**

High-tech, 4 mm thick mirror with **18 I-light lenses** set into the mirror

Dimensions: 1020x840x65 mm

Profile: silver anodized aluminium

Integrated side-mounted actuator for adjusting the brightness

Safety Film

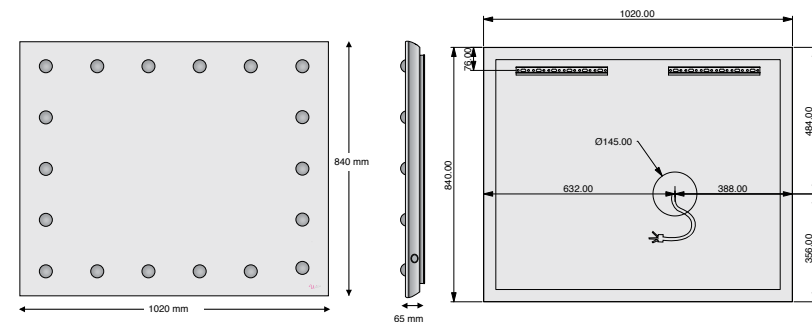
RGB-LED backlighting with RF controller

Voltage: 110-240 V AC, 50/60Hz

Insulation class: Class 1

Power consumption without RGB: 75W MAX

Power consumption with RGB module: 122W



## MH08.V Hollywood

Design: **Cantoni**

High-tech, 4 mm thick mirror with **18 I-light lenses** set into the mirror

Dimensions: 840x1020x65 mm

Profile: silver anodized aluminium

Integrated side-mounted actuator for adjusting the brightness

Safety Film

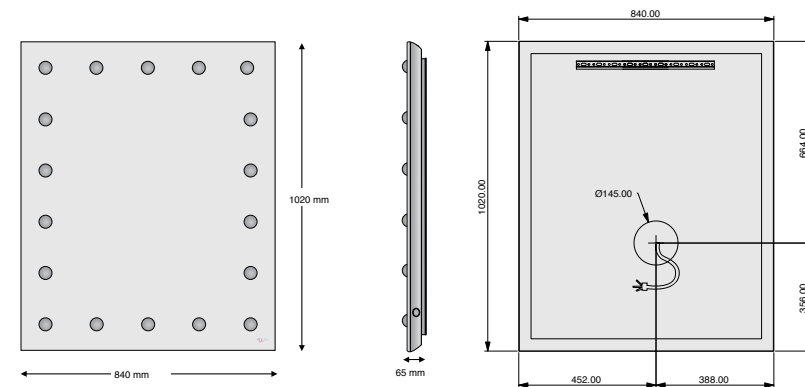
RGB-LED backlighting with RF controller

Voltage: 110-240 V AC, 50/60Hz

Insulation class: Class 1

Power consumption without RGB: 75W MAX

Power consumption with RGB module: 122W





**FURNISH A BOUTIQUE**

Mh05 mirror 1020 x 1800 mm

## MH09.V Superstar

Design: **Cantoni**

High-tech, 4 mm thick mirror with **30 I-light lenses** set into the mirror

Dimensions: 1020x1865x65 mm

Profile: silver anodized aluminium

Integrated side-mounted actuator for adjusting the brightness

Safety Film

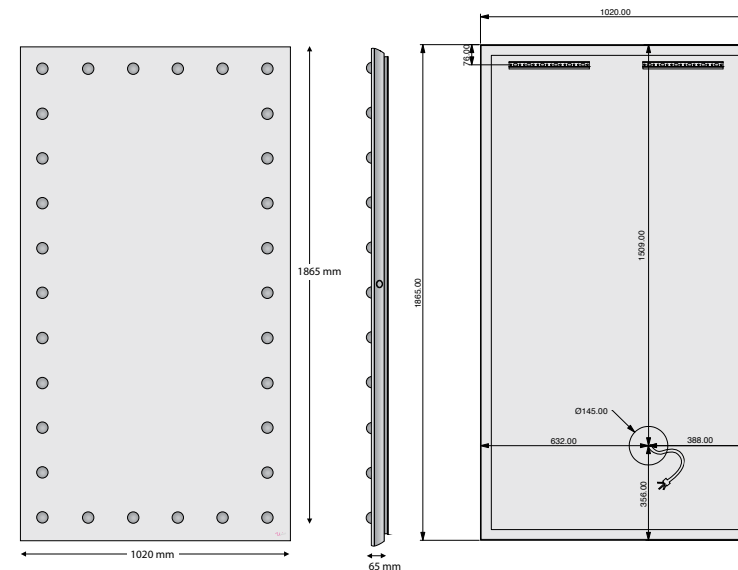
RGB-LED backlighting with RF controller

Voltage: 110-240 V AC, 50/60Hz

Insulation class: Class 1

Power consumption without RGB: 125W MAX

Power consumption with RGB module: 174.3W



# MH09.0 Superstar

Design: **Cantoni**

High-tech, 4 mm thick mirror with **30 I-light lenses** set into the mirror

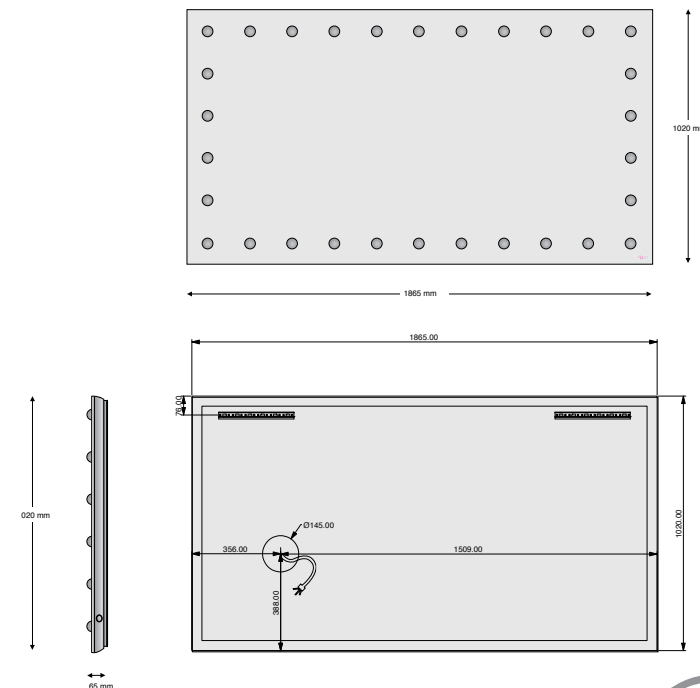
Dimensions: 1865x1020x65 mm

Profile: silver anodized aluminium

Integrated side-mounted actuator for adjusting the brightness

Safety Film

RGB-LED backlighting with RF controller



Voltage: 110-240 V AC, 50/60Hz

Insulation class: Class 1

Power consumption without RGB: 125W MAX

Power consumption with RGB module: 174.3W

## **MH09.V** **Superstar Stand Alone**

Design: **Cantoni**

High-tech, 4 mm thick mirror with **30 I-light lenses** set into the mirror

Dimensions: 1020x1865x65 mm

Profile: silver anodized aluminium

Integrated side-mounted actuator for adjusting the brightness

Safety Film

RGB-LED backlighting with RF controller

Rear stand-alone support in hardened and painted metal, with shaped profile free from sharp edges.

Voltage: 110-240 V AC, 50/60Hz

Insulation class: Class 1

Power consumption without RGB: 125W MAX

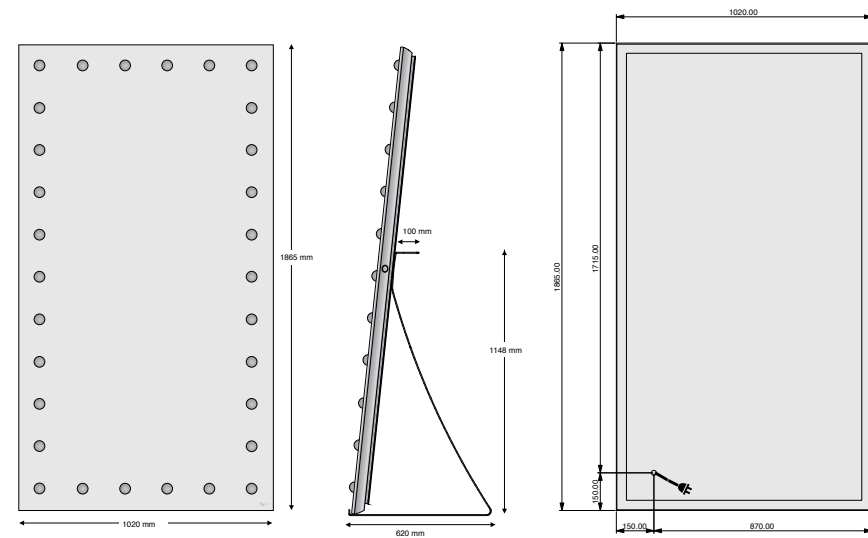
Power consumption with RGB module: 174.3W

# MH09.V

## Superstar Stand Alone

Design: **Cantoni**

Storage shelf incorporated into the support stand





## Linea MH Ambient

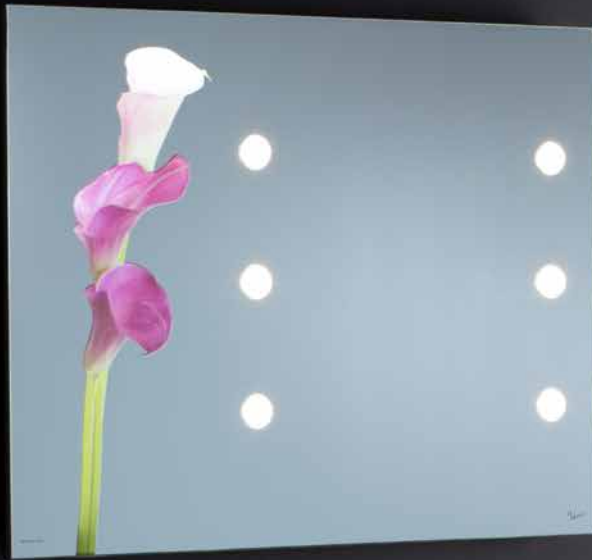
Design: **Cantoni**

MH Ambient mirrors offer the same features and high level of quality as the MH range, combined with decorations that inject light and colour to any space.



**FURNISH A BATHROOM**

MH10 mirror 700 X 1020 mm



## MH10

### Ambient Light

Design: **Cantoni**

High-tech, 4 mm thick mirror with **6 I-light lenses** set into the mirror.

Dimensions: 1020x700x65 mm

Profile: silver anodized aluminium

Integrated side-mounted actuator for adjusting the brightness

Safety Film

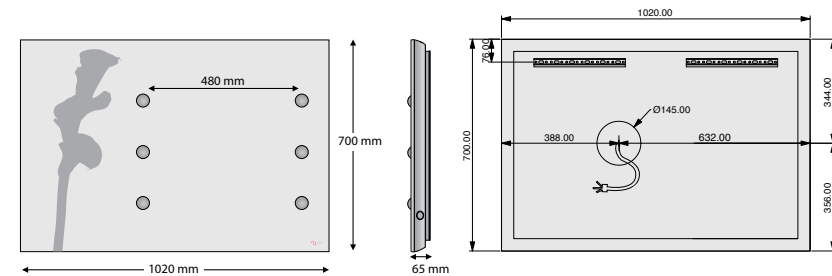
Decorative image backprinted on glass

Voltage: 110-240 V AC, 50/60Hz

Insulation class: Class 1

Power consumption without RGB: 25W MAX

Power consumption with RGB module: 53 W





## MH11

### Ambient

Design: **Cantoni**

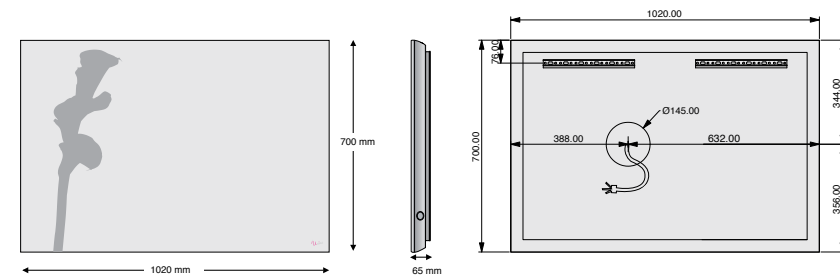
4 mm thick mirror

Dimensions: 1020x700x65 mm

Profile: silver anodized aluminium

Safety Film

Decorative image backprinted on glass





MH Ambient mirrors can be customised with a high-resolution image backprinted on glass. Customers can choose from one of the following images:

- .Bunch of yellow/white tulips
- .White tulip
- .Pink calla lily
- .Bunch of calla lilies
- .Blue rose
- .Bunch of red tulips

Alternatively, a customised image can be printed on request.





# FINISHES

Unica | MH Line

---



**Standard Anodized Finish**

ACH  
Matt chemical silver

**Non-standard anodized finishes**

	Bright Silver	Light Smoky Grey	Dark Smoky Grey	Light Gold	Medium Gold	Light Bronze	Electro-colour Bronze	Medium Bronze	Dark Bronze	Black
Polished	ABL	FCL	FSL	OCL	OML	BCL	BEL	BML	BSL	NL
Satin	ABS	FCS	FSS	OCS	OMS	BCS	BES	BMS	BSS	NS
Brushed	ABB	FCB	FSB	OCB	OMB	BCB	BEB		BSB	NB
Matt chemical		FCC	FSC	FSC	OMC	BCC	BEC	BMC	BSC	NC

**Non-standard paint finishes**



Matt or glossy paint  
(Ref. RAL range of colours)

Cantoni will assess feasibility, methods, costs and times for the customisation of products on a case-by-case basis.

# TECHNICAL SHEET

Unica | MH Line

---



**STRUCTURE**

6060-T5 non-deformable aluminium

**MIRRORS**

High-tech, 4 mm thick mirrors

Ten times more resistant to corrosion

Three times more resistant to scratches compared to conventional mirrors

Does not contain copper or formaldehyde and complies with the criteria set forth in the European RoHS Directive (< 0.1% of lead)

Long-lasting in typically damp environments

Safety Film

**I-LIGHT TECHNOLOGY (patented)**

The light lenses, set directly into the reflective surface, cut with high-precision instruments, diffuse light generated by I-Light technology incorporated into the structure of the mirror.



Each I-LIGHT module is composed of three light lenses.

Each mirror has at least six lenses, composed of two I-LIGHT modules with three light lenses each. Up to thirty lenses can be fitted, composed of ten I-LIGHT modules with three light lenses each

Light gradation 4200° kelvin

Guaranteed life cycle: 100,000/h

Low energy consumption

Photobiological hazard: none

Actuator:

Quick touch = on/off the light

Press and hold = brightness +/-



Natural light  
4200° Kelvin



Light  
adjustment



No bulbs  
required



Input  
110-240 V



Safety  
Film



Low energy  
consumption



CE  
conformity



**TECHNICAL SPECIFICATIONS FOR THE DEVICE**

TYPE:	Mirror with 6 light points	Mirror with 9 light points	Mirror with 12 light points	Mirror with 18 light points	Mirror with 21 light points	Mirror with 24 light points	Mirror with 30 light points
MODEL:	MH07	On request	MH01 - MH03 - MH04 - MH06	MH01XL - MH08	On request	MH05	MH09
VOLTAGE:	110-240 Vac 50/60 Hz	110-240 Vac 50/60 Hz	110-240 Vac 50/60 Hz	110-240 Vac 50/60 Hz	110-240 Vac 50/60 Hz	110-240 Vac 50/60 Hz	110-240 Vac 50/60 Hz
CURRENT without RGB	106 mA max	159 mA max	212 mA max	318 mA max	370 mA max	424 mA max	560 mA max
POWER without RGB	25 W max	38 W max	50 W max	75 W max	88 W max	100 W max	125 W max
POWER and CURRENT with RGB module::	53 W 148 mA	66 W 222 mA	86 W 295 mA	122 W 443 mA	RGB non pre-sente	164 W 590 mA	174,3 W 780 mA
POWER FACTOR 240Vac, 60Hz:	$\text{Cos}\phi = 0,95$	$\text{Cos}\phi = 0,95$	$\text{Cos}\phi = 0,95$	$\text{Cos}\phi = 0,95$	$\text{Cos}\phi = 0,95$	$\text{Cos}\phi = 0,95$	$\text{Cos}\phi = 0,95$

The light source contained in this equipment may only be replaced by the manufacturer , its service department or equivalent qualified personnel.

Device for indoor use only , IP20

The device is designed to operate within a temperature range of 0-40°C (Ta)

The electrical output cable of the mirror is not equipped with the plug: it needs to be connected to the electrical wiring of the room.

**LED CHARACTERISTICS:**

- . Brand of origin: CANTONI TRADING SRL
- . Model: module Led
- . Power voltage and tension: 28.3 Vdc, 0.325A
- . Total nominal power: 9.2 W
- . Position and purpose of the connections: on the LED module
- . tc: 55 ° C
- . Photobiological hazard: None.

**RGB BACKLIGHTING:** RGB controller - wireless RF remote control.

- . Power voltage and tension: 12V DC 1.2A
- . Total nominal power: 14.4 W/1 m.
- . Tc: 60 ° C
- . Photobiological hazard: None.

**CE conformity declaration**

Complies with the essential requirements of EU directives applicable to the product: Low Voltage Directive 2014/35/EU, Electromagnetic Compatibility Directive 2014/30/EU and ROHS Directive 2011/65/EU, when installed in compliance with these instructions..

All products by Cantoni are made in Italy with carefully selected materials.

Each product is the result of a careful study to ensure the best balance between aesthetics and technology. The authenticity of each piece by Cantoni is ensured by our trademark.

We are always available to respond to every request and question about products. Our technical department is then available for custom projects

PLEASE NOTE:

Cantoni reserves the right to modify at any time the items in the catalogue for technical or commercial purposes. Shipments are made from our offices in San Marino

associated



**CANTONI TRADING SRL**

Headquarters and Showroom

Via Guardia di Rocca 10 - 47899 Galazzano - Rep. San Marino

Tel. +378 0549 977527 - Fax +378 0549 876501

[info@lineaunica.com](mailto:info@lineaunica.com)

[www.lineaunica.com](http://www.lineaunica.com)