



Luxury Lighted Mirrors

**UNICA**  
LUXURY LIGHTED MIRRORS  
*by Cantoni*

## **SP MIRROR COLLECTION**

	The Collection and the mission	3
	I-light	4
	SP Collection	5
	Standard dimensions	8
	Finishes	13
	Technical sheet	15
	Quality	18

## AND THERE WAS LIGHT. (BUT NOT A COMMON ONE)

The **light is perfect** if has the ability to create suggestions and wake up deep sensations. It is just this emotional light that is the **distinctive feature of Unica's complete range of lighted mirrors.**

Each mirror resulting from the Italian craftsmanship is a unique piece combining design, technological innovation and functionality harmoniously.

**Cantoni goal** is to support architects, interior designers and furniture companies in the creation of astonishing and highly functional bathrooms for luxury hotels, spa and residential facilities, thanks to mirrors subverting the usual rules and loosing their role of mere furnishings in order to become structural elements of space in which the light is the absolute protagonist...

## I-LIGHT: SYNTHESIS OF FUNCTIONALITY AND STYLE

The greatest ideas come from an endless passion and a patient and daily testing. That is why in Cantoni the contamination between design, research and experience has resulted in I-light technology.

**I-Light is a new lighting technology, Cantoni patented,** fully-integrated in the structure of every mirror of the Unica range and **recreating the colour rendering and the incidence of sunlight with absolute perfection.**

The light sources are **not light bulbs**, but lenses made of a highly-refractive, unbreakable material that are capable of spreading and shielding light in a perfectly even manner and completely enveloping the figure. Every single detail has been studied and analysed: from the distance between the light points to the uniformity of the light emission, paying the utmost care and attention to the **perfect colour gradation.**

Dimmable, low energy consumption, CE certified



### I-light:.

- . Shade of light: 4200°kelvin degree
- . Lights life: 100.000h/min.
- . Required bulbs: none
- . Universal Power socket: 110V-240V
- . Integrated actuator



## **SP mirror collection**

### **Shape, content and function**

Design: **Cantoni**

The materialization of a thought combining textural geometries with ethereal transparencies: the SP line of mirrors is the point of arrival of a conceptual and sensory journey that winds through metals, reflections, lights, volumes and technology. A line that comes from a creative experience at the service of real people, objects designed for living environments and making the most of this time.

The ideal light reception on the face is guaranteed by the 5° splaying of the frames. The opal lenses diffusing the I-light light enrich with reflections the polished geometric surfaces of the frame aluminium.

## SP mirror collection

Design: **Cantoni**

Wall mirror with I-light diffused illumination adjustable in intensity. 5° splayed frame in painted or chromed anodised aluminium, 5.5 cm thickness. Spherical opal lenses are inserted with millimetre precision in the shaped notches on the frame.



- . 55 mm bevelled frame in anodized aluminium
- . Mirror resistant to corrosion (10X) and scratches (3X)
- . Safety film
- . Dimmable I-light lenses
- . Kelvin: 4200°
- . Guaranteed lifetime hours 100,000/h
- . Integrated side actuator
- . 110-240V compatible
- . Low energy consumption
- . No photobiological risk
- . CE certification

**FURNISH THE BATHROOM**

SP301 Glossy Bright Silver 800X1200 mm

An amazing collection of mirrors of authentic design, where the shape, playing with transparencies and perspectives, acquires relevance and thickness in combination with an advanced technology, in order to be inserted in a functional and flexible way in real and liveable spaces.



- . 3 Standard sizes (see pag. 8)
- . Possible customised production
- . Min size 600 mm
- . Max size 1850 mm
- . Max 30 I-light lighting sources
- . Customisable with customer's logo

### FURNISH THE DRESSING ROOMS

SP302 Glossy Bright Silver 1000x1800 mm

# STANDARD DIMENSIONS

Unica | SP Line

---



## SP300

Design: **Cantoni**

High-tech, 4 mm thick mirror

**12 I-light lenses** set into the profile

Dimensions: 1200x800x55 mm

Profile: brilliant polished silver anodized aluminium

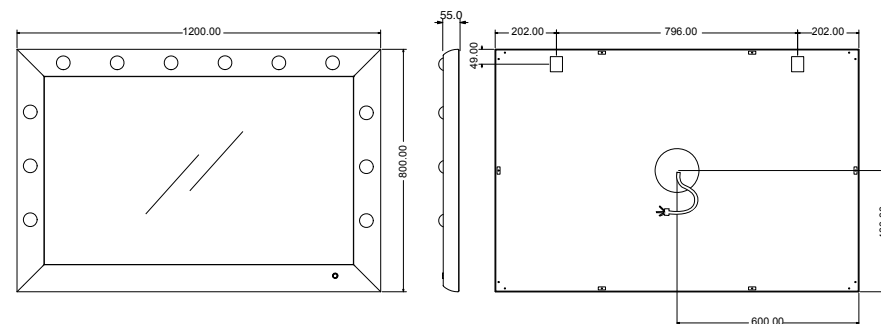
Integrated front-mounted actuator for adjusting the brightness

Safety Film

Voltage: 110-240 V AC, 50/60Hz

Insulation class: Class 1

Power consumption: 50W MAX





## SP301

Design: **Cantoni**

High-tech, 4 mm thick mirror

**12 I-light lenses** set into the profile

Dimensions: 800x1200x55 mm

Profile: white painted aluminium

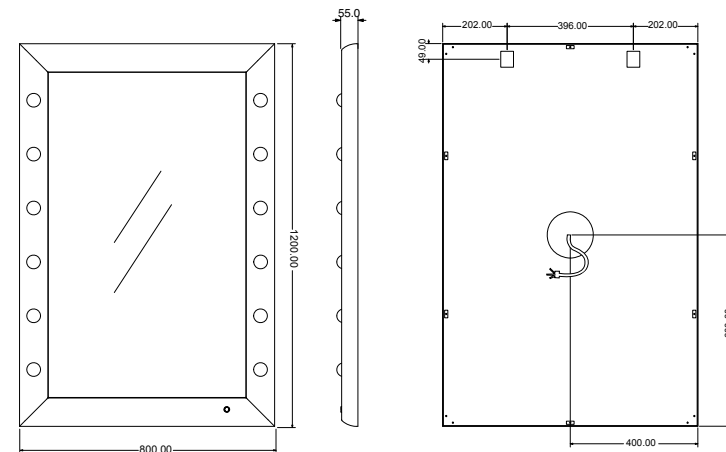
Integrated front-mounted actuator for adjusting the brightness

Safety Film

Tensione: 110-240 Vac, 50/60Hz

Classe di isolamento: Classe I

Potenza assorbita : 50W MAX



## SP302

Design: **Cantoni**

High-tech, 4 mm thick mirror

**18 I-light lenses** set into the profile

Dimensions: 1000x1800x55 mm

Profile: brilliant polished silver anodized aluminium

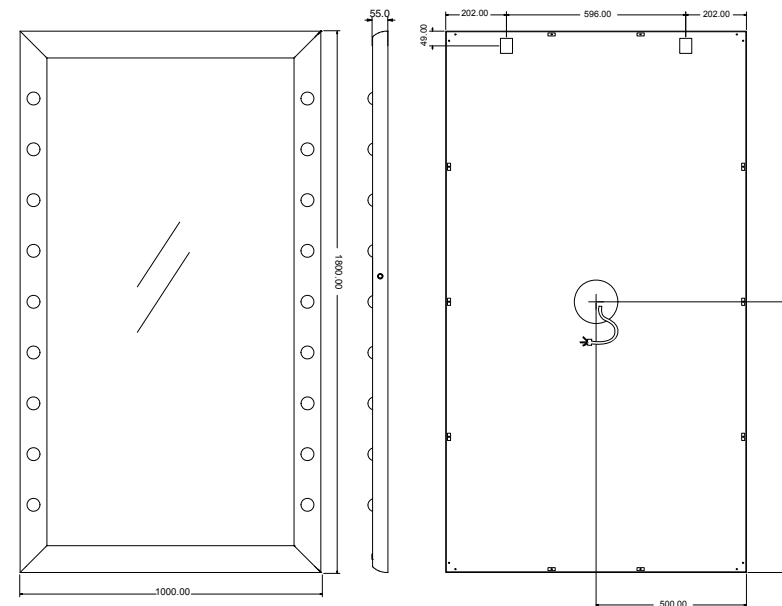
Integrated front-mounted actuator for adjusting the brightness

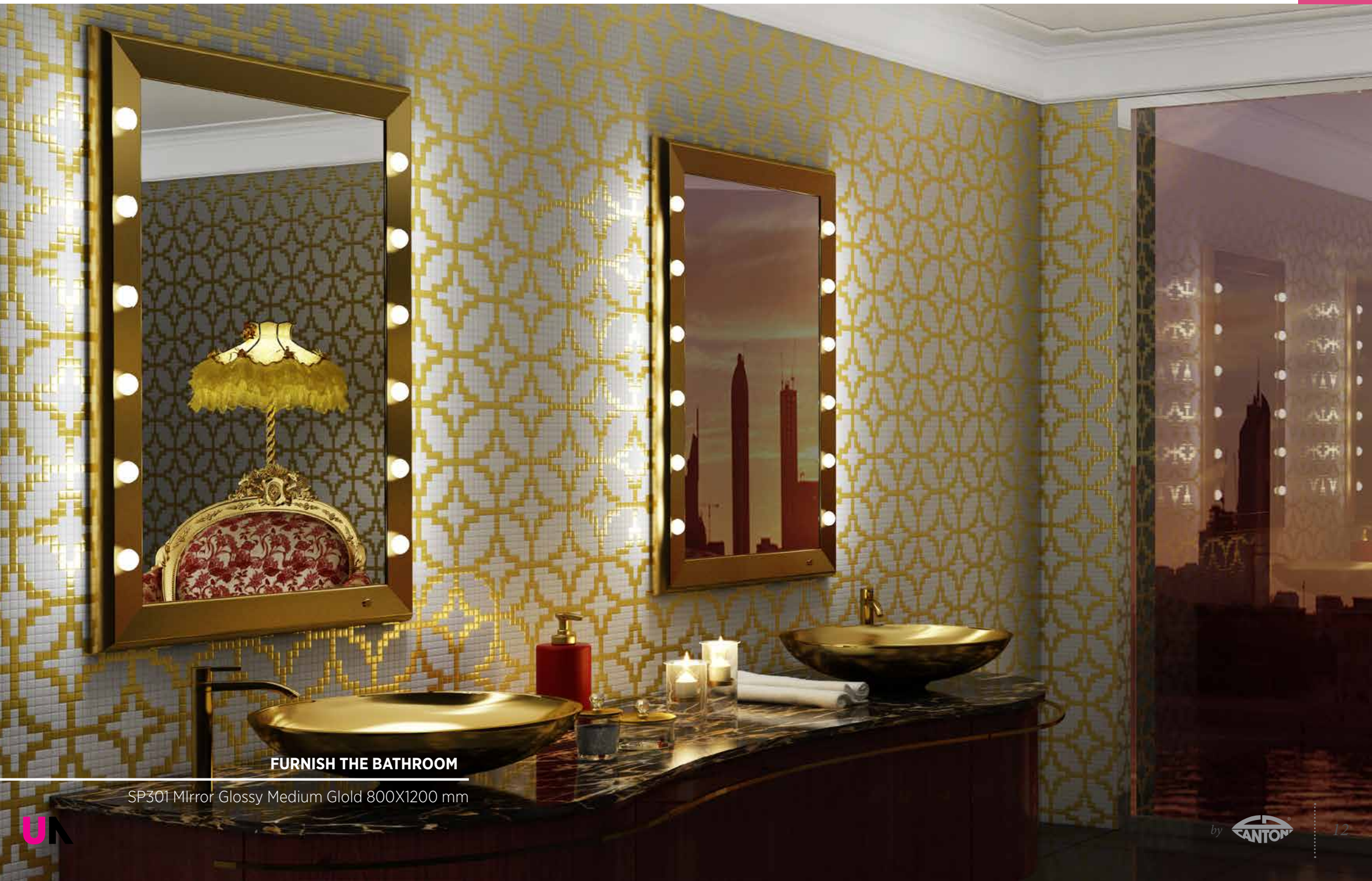
Safety Film

Voltage: 110-240 V AC, 50/60Hz

Insulation class: Class 1

Power consumption: 75W MAX





**FURNISH THE BATHROOM**

SP301 Mirror Glossy Medium Glold 800X1200 mm



# FINISHES

Unica | LSP Line

---



**Standard Anodized Finish**

ABL  
Polished bright silver

**Non-standard anodized finishes**

	Bright Silver	Light Smoky Grey	Dark Smoky Grey	Light Gold	Medium Gold	Light Bronze	Electro-colour Bronze	Medium Bronze	Dark Bronze	Black
Polished		FCL	FSL	OCL	OML	BCL	BEL	BML	BSL	NL
Satin	ABS	FCS	FSS	OCS	OMS	BCS	BES	BMS	BSS	NS
Brushed	ABB	FCB	FSB	OCB	OMB	BCB	BEB	BSB	NB	
Matt chemical	ACH	FCC	FSC	FSC	OMC	BCC	BEC	BMC	BSC	NC

**Non-standard paint finishes**



Matt or glossy paint  
(ref. RAL range of colours)

Cantoni will assess feasibility, methods, costs and times for the customisation of products on a case-by-case basis.

# TECHNICAL SHEET

Unica | SP Line

---



**STRUCTURE**

6060-T5 non-deformable aluminium

**MIRRORS**

High-tech, 4 mm thick mirrors

Ten times more resistant to corrosion

Three times more resistant to scratches compared to conventional mirrors

Does not contain copper or formaldehyde and complies with the criteria set forth in the European RoHS Directive (< 0.1% of lead)

Long-lasting in typically damp environments

Safety Film

**I-LIGHT TECHNOLOGY (patented)**

The light lenses, set directly into the reflective surface, cut with high-precision instruments, diffuse light generated by I-Light technology incorporated into the structure of the mirror.



Each I-LIGHT module is composed of three light lenses.

Each mirror has at least six lenses, composed of two I-LIGHT modules with three light lenses each. Up to thirty lenses can be fitted, composed of ten I-LIGHT modules with three light lenses each.

Light gradation 4200° kelvin

Guaranteed life cycle: 100,000/h

Low energy consumption

Photobiological hazard: none

Actuator:

Quick touch = on/off the light

Press and hold = brightness +/-



Natural light  
4200° Kelvin



Light  
adjustment



No bulbs  
required



Input  
110-240 V



Safety  
Film



Low energy  
consumption



CE  
conformity



## TECHNICAL SPECIFICATIONS FOR THE DEVICE

TYPE::	Mirror with 6 light points	Mirror with 9 light points	Mirror with 12 light points	Mirror with 18 light points	Mirror with 21 light points	Mirror with 24 light points	Mirror with 30 light points
MODEL:	On request	On request	SP300 - SP301	SP302	On request	On request	On request
VOLTAGE:	110/240 Vac 50/60 Hz	110/240 Vac 50/60 Hz	110/240 Vac 50/60 Hz	110/240 Vac 50/60 Hz	110/240 Vac 50/60 Hz	110/240 Vac 50/60 Hz	110/240 Vac 50/60 Hz
CURRENT:	106 mA max	159 mA max	212 mA max	318 mA max	370 mA max	424 mA max	560 mA max
POWER:	25 W max	38 W max	50 W max	75 W max	88 W max	100 W max	125 W max
POWER FACTOR 240Vac, 60Hz:	Cosφ = 0,95	Cosφ = 0,95	Cosφ = 0,95	Cosφ = 0,95	Cosφ = 0,95	Cosφ = 0,95	Cosφ = 0,95

The light source contained in this equipment may only be replaced by the manufacturer , its service department or equivalent qualified personnel.

Device for indoor use only , IP20

The device is designed to operate within a temperature range of 0-40°C (Ta)

The electrical output cable of the mirror is not equipped with the plug: it needs to be connected to the electrical wiring of the room.

## LED CHARACTERISTICS:

- Brand of origin: CANTONI TRADING SRL
- Model: module Led
- Power voltage and tension: 28.3 Vdc, 0.325A
- Total nominal power: 9.2 W
- Position and purpose of the connections: on the LED module
- tc: 55 ° C
- Photobiological hazard: none

**CE conformity declaration**

Complies with the essential requirements of EU directives applicable to the product: Low Voltage Directive 2014/35/EU, Electromagnetic Compatibility Directive 2014/30/EU and ROHS Directive 2011/65/EU, when installed in compliance with these instructions..

All products by Cantoni are made in Italy with carefully selected materials.

Each product is the result of a careful study to ensure the best balance between aesthetics and technology.  
The authenticity of each piece by Cantoni is ensured by our trademark.

We are always available to respond to every request and question about products.  
Our technical department is then available for custom projects

PLEASE NOTE:

Cantoni reserves the right to modify at any time the items in the catalogue for technical or commercial purposes.  
Shipments are made from our offices in San Marino



**CANTONI TRADING SRL**

Headquarters and Showroom

Via Guardia di Rocca 10 - 47899 Galazzano - Rep. San Marino

Tel. +378 0549 977527 - Fax +378 0549 876501

[info@lineaunica.com](mailto:info@lineaunica.com)

[www.lineaunica.com](http://www.lineaunica.com)