










UNICA
LUXURY LIGHTED MIRRORS
by Cantoni

CONSOLE LINE

Makeup and **vanity desks**
that **attract attention**

	The Collection and the mission	4
	I-light	5
	Consolle Collection	6
	CT.BLACK	8
	CT.WHITE	10
	Grimilde L.MILK & L.BLACK	12
	Quality	15

The **light is perfect** if has the ability to create suggestions and wake up deep sensations.

It is just this emotional light that is the distinctive feature of **Unica's** furnishing range of **products**.





AND THERE WAS LIGHT. (but not a common one)

The perfect light can create suggestions and give rise to deep feelings. It's this emotional light to be the distinctive feature of Unica, a complete range of illuminated mirrors staging the full expressive force of contemporary luxury.

Each mirror resulting from the Italian craftsmanship is a unique piece combining design, technological innovation and functionality harmoniously.

Cantoni goal is to support architects, interior designers and furniture companies in the creation of astonishing and highly functional bathrooms for Luxury hotels, spa and residential facilities, thanks to mirrors subverting the usual rules and losing their role of mere furnishings in order to become structural elements of space in which the light is the absolute protagonist.

I-light system in numbers:

- . Shade of light: 4200°kelvin degree
- . Lights life: 100.000h/min.
- . Power Consumption: 4Watt/h/ light point
- . Required bulbs: none
- . Universal Power socket: 110V-240V



I-LIGHT: a combination of function and style

The greatest ideas come from an endless passion and a patient and daily testing. That is why in Cantoni the contamination between design, research and experience has resulted in I-light technology.

I-Light is a new lighting technology, Cantoni patented, fully-integrated in the structure of every mirror of the Unica range and recreating the colour rendering and the incidence of sunlight with absolute perfection.

The light sources are **not light bulbs**, but lenses made of a highly-refractive, unbreakable material that are capable of spreading and shielding light in a perfectly even manner and completely enveloping the figure.

Every single detail has been studied and analysed: from the distance between the light points to the uniformity of the light emission, paying the utmost care and attention to the **perfect colour gradation.**

It does not generate heat, it does not bother the eyes, it wraps the face with a perfect color rendering

Dimmable, low energy consumption, CE certified.



Console Collection

Romantic and evocative

Design: **Cantoni**

Every Cantoni makeup vanity desk with lights, distinguished by clean lines and the finest materials, create functional and attractive makeup corners.

They are designed and handmade produced by Italian artisans to offer a turnkey solution for situations in which a professional beauty treatment area needs to be set up with ease and impeccably high quality.



Makeup vanity desks

Design: **Cantoni**

Result of **craftsmanship** and **exclusively manufactured** upon request

The makeup console creates a stunning full makeup station with the lighted wall mirrors of the MH or MDE ranges and the makeup chairs.

Soft and enveloping light emitted by the mirror mounted I-light points makes unforgettable these lighted make-up stations.

Possibility of customizing corners with minimum order quantities.



CT.BLACK

Design: **Cantoni**

In combination with the MDE01 mirror with 12 I-light lights and the S105, this console table is a complete beauty station, with a perfect light system.

Functional, elegant, comfortable and modern. Combination of high technology light and unique professional touches. Some of our remarkable details are anodized heated aluminum and fine craftsmanship wood.

Suitable for many insertions, as well as private areas and further in spaces for professional and commercial use: this station is safe, chair with anti-tipping footrest, CE certified mirror and is implemented with safety film.



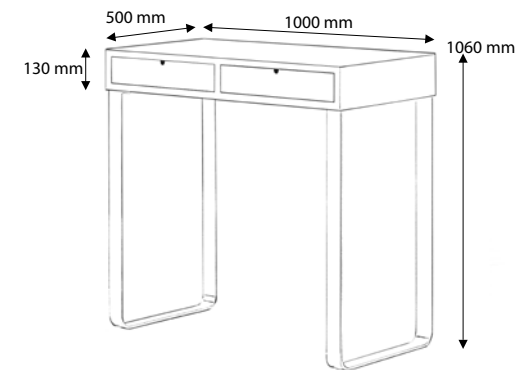
CT.BLACK

Design: **Cantoni**

Ideal makeup corner station furnishing, with harmonious and clean lines. In **black stained ash wood** combined with the modernity of metal, 2 spacious drawers

Made in Italy by expert craftsmen and produced only on demand, CT.BLACK creates a stunning full makeup station with the lighted wall mirrors of the MH or MDE ranges and the makeup chairs.

Possibility of customizing corners with minimum order quantities.





CT.WHITE

Design: **Cantoni**

In combination with the mirror MH01- DIVINO with backlighting and 12 I-light lights and the S105, this console table is a complete beauty station, with a perfect light system.

Functional, elegant, comfortable and modern. Combination of high technology light and unique professional touches. Some of our remarkable details are anodized heated aluminum and fine craftsmanship wood.

Suitable for many insertions, as well as private areas and further in spaces for professional and commercial use: this station is safe, chair with anti-tipping footrest, CE certified mirror and is implemented with safety film.



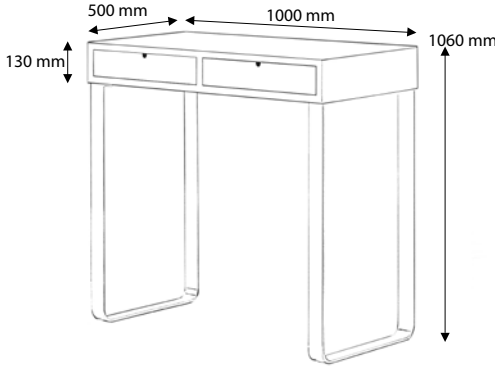
CT.WHITE

Design: **Cantoni**

Ideal makeup corner station furnishing, with harmonious and clean lines. In **white stained ash wood** combined with the modernity of metal, 2 spacious drawers

Made in Italy by expert craftsmen and produced only on demand, CT.WHITE creates a stunning full makeup station with the lighted wall mirrors of the MH or MDE ranges and the makeup chairs.

Possibility of customizing corners with minimum order quantities.





GRIMILDE L.MILK and L.BLACK

Design: **Cantoni**

In combination with the mirrors MH03 with backlighting or MDE505 with 12 I-light lights and the S105.B, this console table is a complete beauty station, with a perfect light system.

Functional, elegant, comfortable and modern. Combination of high technology light and unique professional touches. Some of our remarkable details are anodized heated aluminum and fine craftsmanship wood.

Suitable for many insertions, as well as private areas and further in spaces for professional and commercial use: this station is safe, chair with anti-tipping footrest, CE certified mirror and is implemented with safety film.



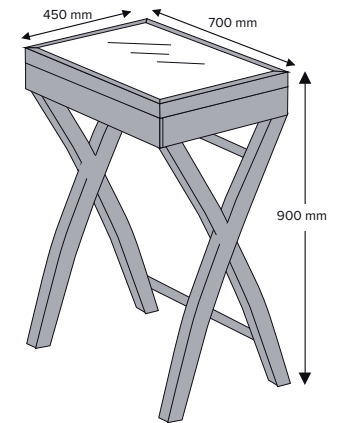
GRIMILDE L.MILK

Design: **Cantoni**

Makeup console in **white stained ash wood** with simple and refined lines and frontal drawer.

Made in Italy by expert craftsmen and produced only on demand, L.MILK creates a stunning full makeup station with the lighted wall mirrors of the MH or MDE ranges and the makeup chairs.

Possibility of customizing corners with minimum order quantities.





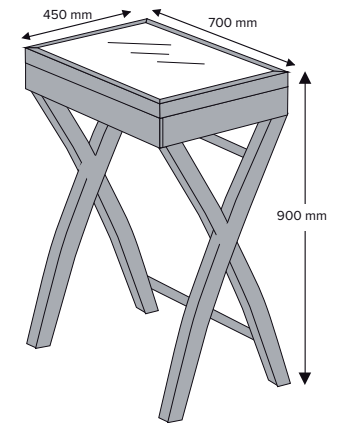
GRIMILDE L.BLACK

Design: **Cantoni**

Makeup console in **black stained ash wood** with simple and refined lines and frontal drawer.

Made in Italy by expert craftsmen and produced only on demand, L.BLACK creates a stunning full makeup station with the lighted wall mirrors of the MH or MDE ranges and the makeup chairs.

Possibility of customizing corners with minimum order quantities.



All products by Cantoni are made in Italy with carefully selected materials.

Each product is the result of a careful study to ensure the best balance between aesthetics and technology.
The authenticity of each piece by Cantoni is ensured by our trademark.

We are always available to respond to every request and question about products.
Our technical department is then available for custom projects

PLEASE NOTE:

Cantoni reserves the right to modify at any time the items in the catalogue for technical or commercial purposes.
Shipments are made from our offices in San Marino

CANTONI TRADING SRL

Headquarters and Showroom

Via Guardia di Rocca 10 - 47899 Galazzano - Rep. San Marino

Tel. +378 0549 977527 - Fax +378 0549 876501

sales@lineaunica.com

www.lineaunica.com