








UNICA
LUXURY LIGHTED MIRRORS
by Cantoni

MDE MIRROR LINE

Mirrors with **sober** and
essential lines

	The Collection and the mission	4
	I-light	5
	MDE Collection	6
	Standard dimensions	8
	Finishes	31
	Technical sheet	33
	Quality	36

The **light is perfect** if has the ability to create suggestions and wake up deep sensations.

It is just this emotional light that is the distinctive feature of **Unica's** furnishing range of **products**.





AND THERE WAS LIGHT. (but not a common one)

The perfect light can create suggestions and give rise to deep feelings. It's this emotional light to be the distinctive feature of Unica, a complete range of illuminated mirrors staging the full expressive force of contemporary luxury.

Each mirror resulting from the Italian craftsmanship is a unique piece combining design, technological innovation and functionality harmoniously.

Cantoni goal is to support architects, interior designers and furniture companies in the creation of astonishing and highly functional bathrooms for Luxury hotels, spa and residential facilities, thanks to mirrors subverting the usual rules and losing their role of mere furnishings in order to become structural elements of space in which the light is the absolute protagonist.

I-light system in numbers:

- . Shade of light: 4200°kelvin degree
- . Lights life: 100.000h/min.
- . Power Consumption: 4Watt/h/ light point
- . Required bulbs: none
- . Universal Power socket: 110V-240V



I-LIGHT: a combination of function and style

The greatest ideas come from an endless passion and a patient and daily testing. That is why in Cantoni the contamination between design, research and experience has resulted in I-light technology.

I-Light is a new lighting technology, Cantoni patented, fully-integrated in the structure of every mirror of the Unica range and recreating the colour rendering and the incidence of sunlight with absolute perfection.

The light sources are **not light bulbs**, but lenses made of a highly-refractive, unbreakable material that are capable of spreading and shielding light in a perfectly even manner and completely enveloping the figure.

Every single detail has been studied and analysed: from the distance between the light points to the uniformity of the light emission, paying the utmost care and attention to the **perfect colour gradation.**

It does not generate heat, it does not bother the eyes, it wraps the face with a perfect color rendering

Dimmable, low energy consumption, CE certified.



MDE line

It's amazing what the right light can do

Design: **Cantoni**

The aery surface of the mirror welcomes, in a precious setting, the curved profile of opalescent lenses, replicating with absolute perfection the chromatic shade of the sunlight.

A collection encasing, in its apparently simple lines, countless hours of study and research on the refraction of light.

Wall mirrors with I-light diffused lighting with 4 cm silver anodised aluminium linear profile and adjustable light intensity.

MDE mirror line is successfull sythesis of functionality,advanced technology and a kind of sensual Hollywood appeal.

Furnish the bathroom



MDE line

Design: **Cantoni**

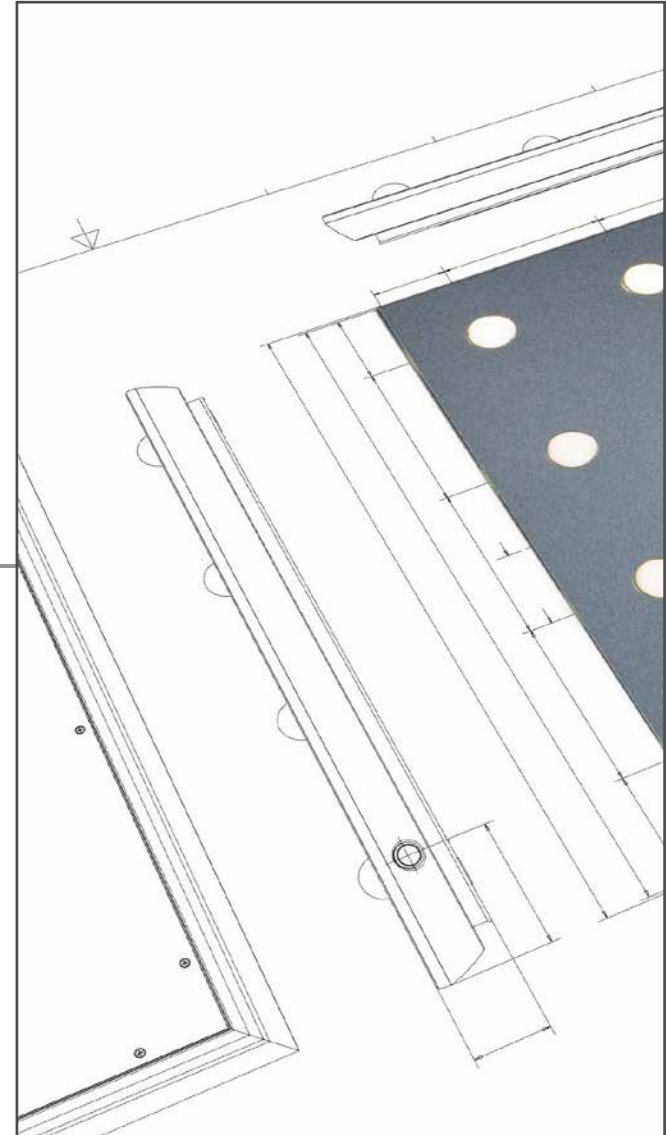
A range of wall-mounted **lighted mirrors** for **residential** and **commercial spaces**

The MDE range is composed of wall mirrors with I-light diffused lighting in silver-backed float glass with 4.0cm silver anodised aluminium linear profile and adjustable light intensity.

These mirror modules with simple and essential lines, designed for directional furnishing, thanks to low power consumption, simplicity of installation and absolute absence of heat emission, create suggestive and highly-functional corners in commercial spaces, hair styling salons, pharmacies and optician's shops

STANDARD DIMENSIONS

MDE Line





MDE07

Design: **Cantoni**

High-tech, 4 mm thick mirror with **6 I-light lenses** set into the mirror

Dimensions: 700x700x40 mm

Profile: silver anodized aluminium

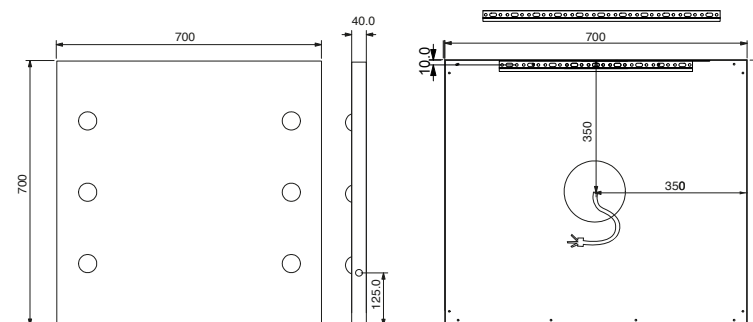
Integrated side-mounted actuator for adjusting the brightness

Safety Film

Voltage: 110-240 V AC, 50/60Hz

Insulation class: Class 1

Power consumption: 25W MAX





MDE01

Design: **Cantoni**

High-tech, 4 mm thick mirror with **12 I-light lenses** set into the mirror

Dimensions: 1020x700x40 mm

Profile: silver anodized aluminium

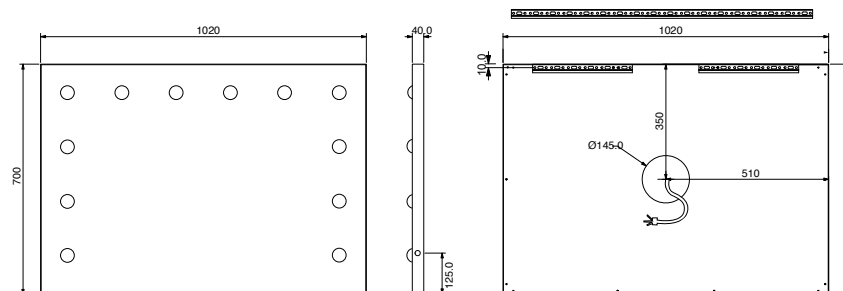
Integrated side-mounted actuator for adjusting the brightness

Safety Film

Voltage: 110-240 V AC, 50/60Hz

Insulation class: Class 1

Power consumption: 50W MAX





MDE01XL

Design: **Cantoni**

High-tech, 4 mm thick mirror with **12 I-light lenses** set into the mirror

Dimensions: 1400x1020x40 mm

Profile: silver anodized aluminium

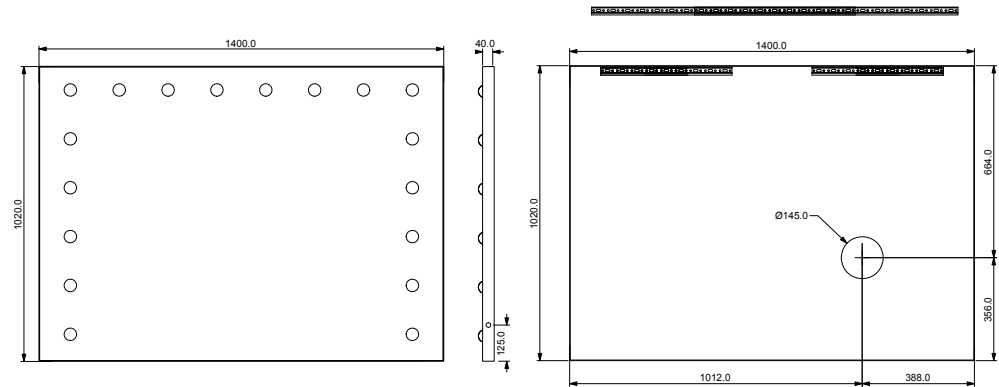
Integrated side-mounted actuator for adjusting the brightness

Safety Film

Voltage: 110-240 V AC, 50/60Hz

Insulation class: Class 1

Power consumption: 75W MAX





MDE502

Design: **Cantoni**

High-tech, 4 mm thick mirror with **12 I-light lenses** set into the mirror

Dimensions: 1020x700x40 mm

Profile: silver anodized aluminium

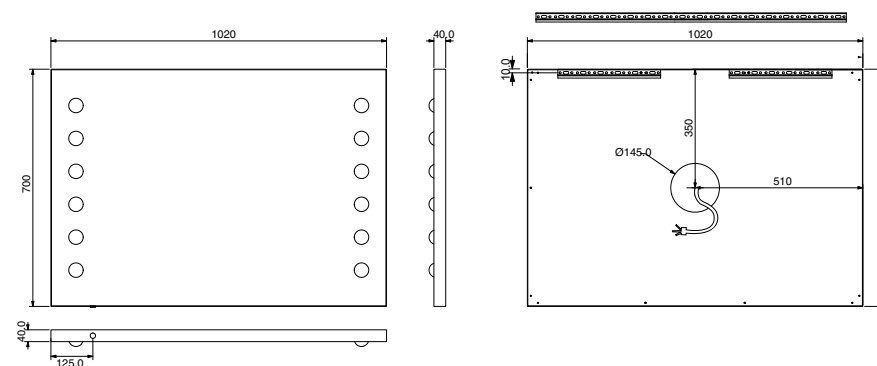
Integrated side-mounted actuator for adjusting the brightness

Safety Film

Voltage: 110-240 V AC, 50/60Hz

Insulation class: Class 1

Power consumption: 50W MAX





MDE02

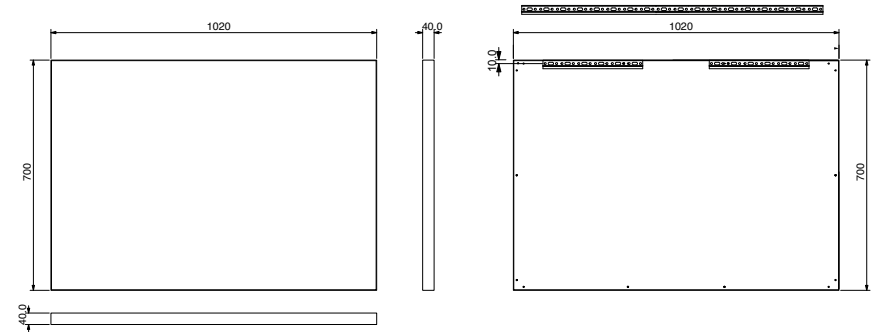
Design: **Cantoni**

High-tech, 4 mm thick mirror

Dimensions: 1020x700x40 mm

Profile: silver anodized aluminium

Safety Film





MDE04

Design: **Cantoni**

High-tech, 4 mm thick mirror with **12 I-light lenses** set into the mirror

Dimensions: 1020x1020x40 mm

Profile: silver anodized aluminium

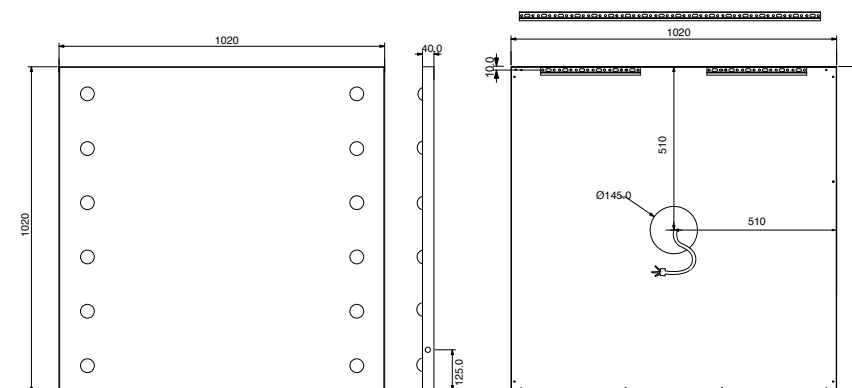
Integrated side-mounted actuator for adjusting the brightness

Safety Film

Voltage: 110-240 V AC, 50/60Hz

Insulation class: Class 1

Power consumption: 50W MAX





MDE505

Design: **Cantoni**

High-tech, 4 mm thick mirror with **12 I-light lenses** set into the mirror

Dimensions: 700x1020x40 mm

Profile: silver anodized aluminium

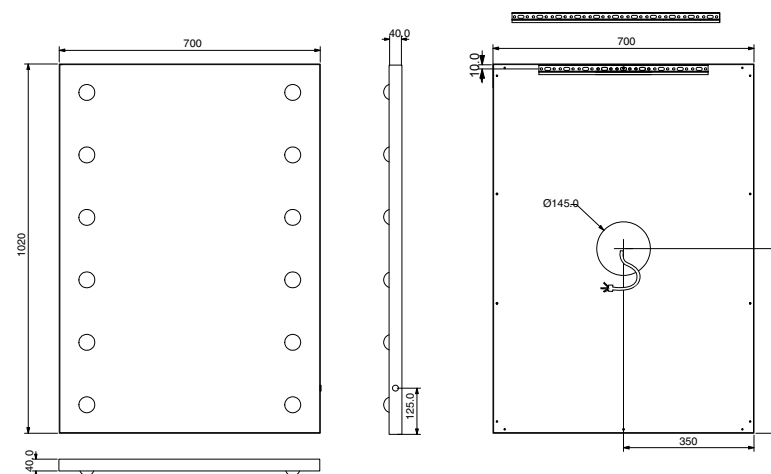
Integrated side-mounted actuator for adjusting the brightness

Safety Film

Voltage: 110-240 V AC, 50/60Hz

Insulation class: Class 1

Power consumption: 50W MAX





MDE08.V

Design: **Cantoni**

High-tech, 4 mm thick mirror with **18 I-light lenses** set into the mirror

Dimensions: 840x1020x40 mm

Profile: silver anodized aluminium

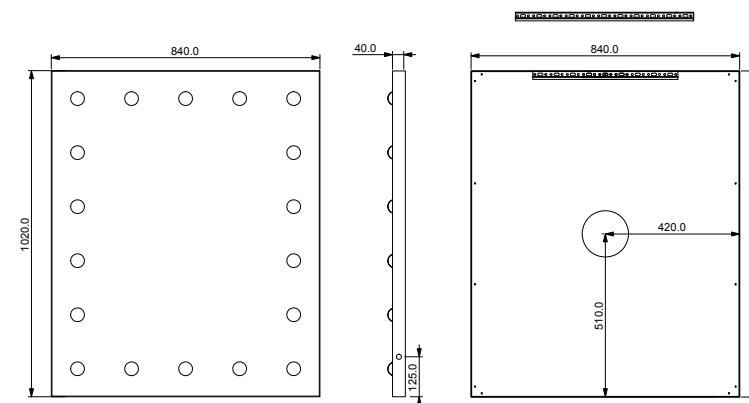
Integrated side-mounted actuator for adjusting the brightness

Safety Film

Voltage: 110-240 V AC, 50/60Hz

Insulation class: Class 1

Power consumption: 75W MAX





MDE04

Design: **Cantoni**

High-tech, 4 mm thick mirror with **18 I-light lenses** set into the mirror

Dimensions: 1020x840x40 mm

Profile: silver anodized aluminium

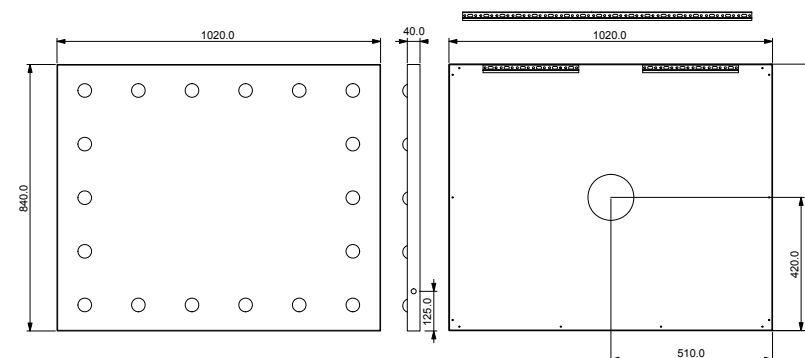
Integrated side-mounted actuator for adjusting the brightness

Safety Film

Voltage: 110-240 V AC, 50/60Hz

Insulation class: Class 1

Power consumption: 75W MAX





MDE516

Design: **Cantoni**

High-tech, 4 mm thick mirror with **24 I-light lenses** set into the mirror

Dimensions: 1020x1800x40 mm

Profile: silver anodized aluminium

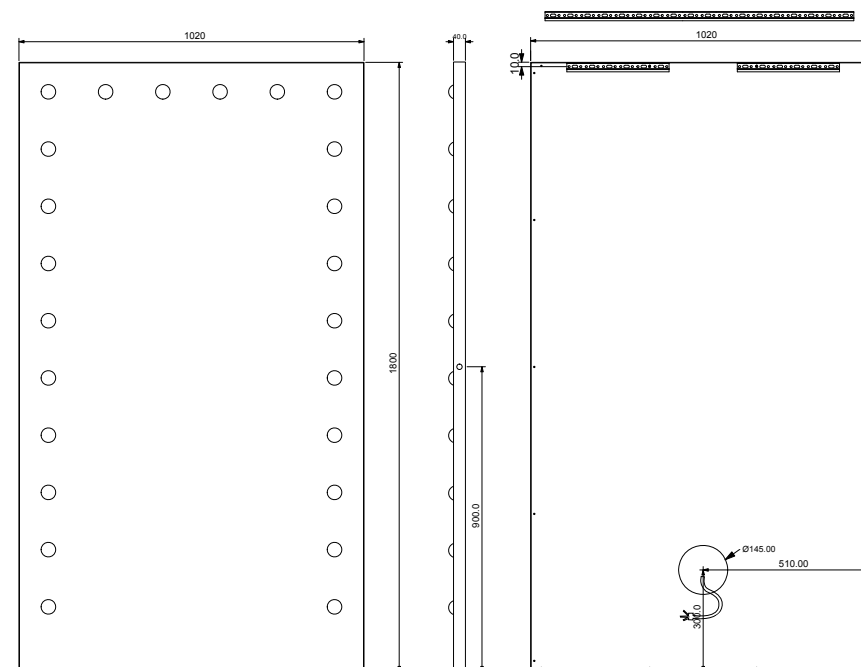
Integrated side-mounted actuator for adjusting the brightness

Safety Film

Voltage: 110-240 V AC, 50/60Hz

Insulation class: Class 1

Power consumption: 100W MAX





MDE09.V

Design: **Cantoni**

High-tech, 4 mm thick mirror with **30 I-light lenses** set into the mirror

Dimensions: 1020x1865x40 mm

Profile: silver anodized aluminium

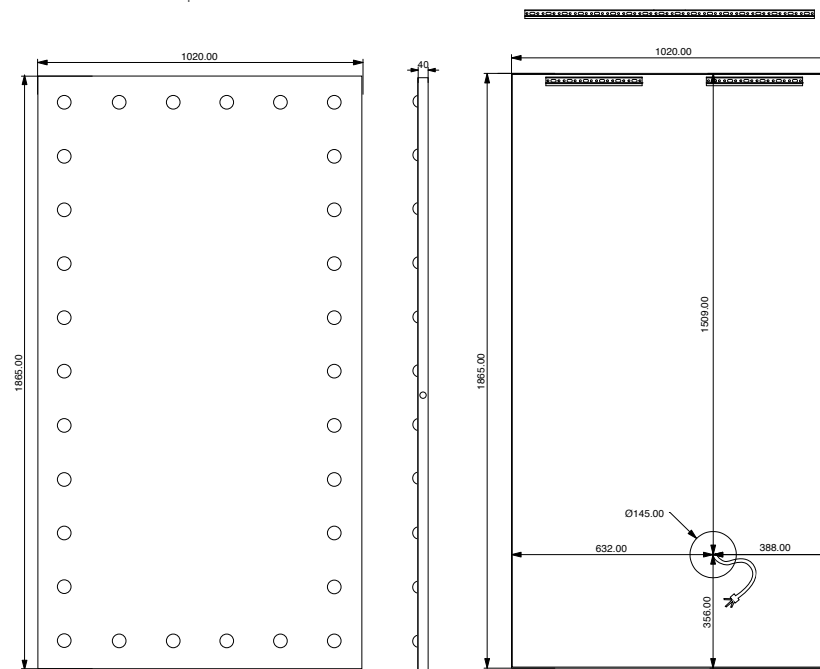
Integrated side-mounted actuator for adjusting the brightness

Safety Film

Voltage: 110-240 V AC, 50/60Hz

Insulation class: Class 1

Power consumption: 125W MAX





MDE09.0

Design: **Cantoni**

High-tech, 4 mm thick mirror with **30 I-light lenses** set into the mirror

Dimensions: 1865x1020x40 mm

Profile: silver anodized aluminium

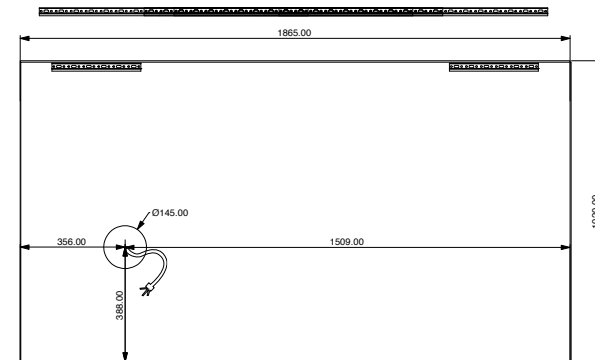
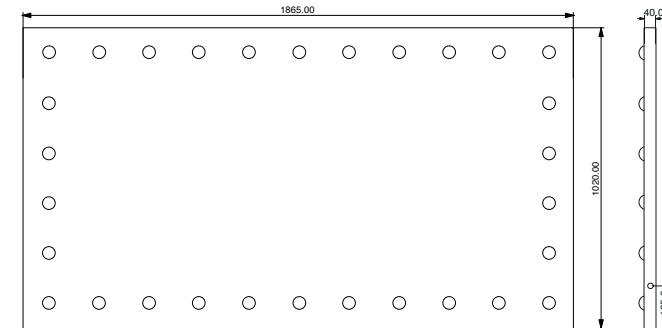
Integrated side-mounted actuator for adjusting the brightness

Safety Film

Voltage: 110-240 V AC, 50/60Hz

Insulation class: Class 1

Power consumption: 125W MAX





MDE518

Design: **Cantoni**

High-tech, 4 mm thick mirror with **12 I-light lenses** set into the mirror

Dimensions: 700x1850x40 mm

Profile: silver anodized aluminium

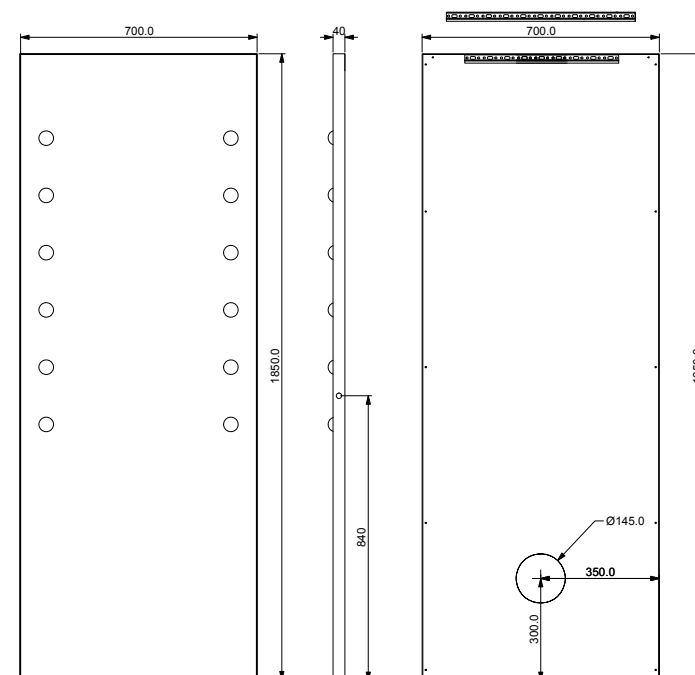
Integrated side-mounted actuator for adjusting the brightness

Safety Film

Voltage: 110-240 V AC, 50/60Hz

Insulation class: Class 1

Power consumption: 50W MAX





MDE518-BLACK

Design: **Cantoni**

High-tech, 4 mm thick mirror with **12 I-light lenses** set into the mirror

Dimensions: 700x1850x40 mm

Profile: painted black aluminium

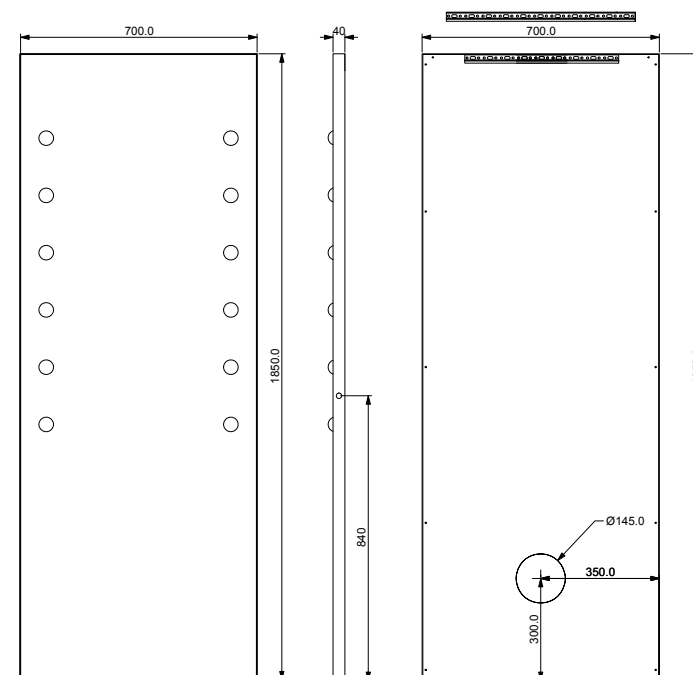
Integrated side-mounted actuator for adjusting the brightness

Safety Film

Voltage: 110-240 V AC, 50/60Hz

Insulation class: Class 1

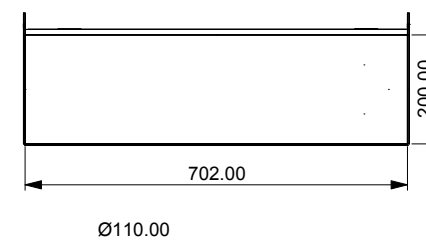
Power consumption: 50W MAX



SHELF MDE518

Design: **Cantoni**

Shelf in folded aluminum, laser shaped, black color.
Connections inserted in the MDE profile.





MDE518-ROLLING MIRROR

Design: **Cantoni**

High-tech, 4 mm thick mirror with **12 I-light lenses** set into the mirror

Dimensions: 700x1850x40 mm - Profile: silver anodized aluminium

Integrated side-mounted actuator for adjusting the brightness

Safety Film

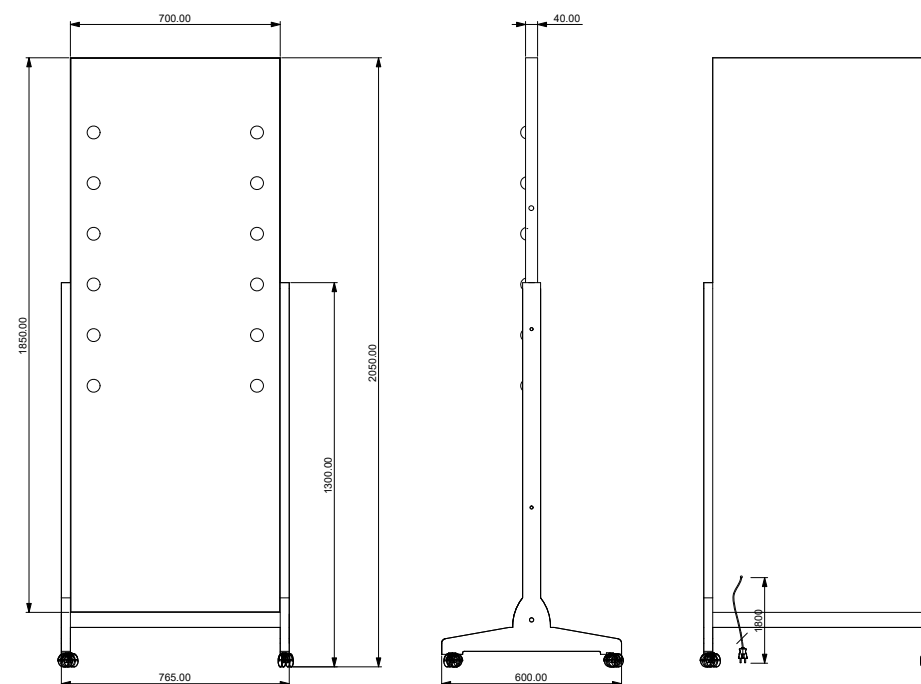
Silver painted beech uprights, 4 wheels with brakes

Extremely handy, stable and it can be positioned where necessary

Voltage: 110-240 V AC, 50/60Hz

Insulation class: Class 1

Power consumption: 50W MAX





MDE505-stand alone

Design: **Cantoni**

High-tech, 4 mm thick mirror with **12 I-light lenses** set into the mirror

Dimensions: 700x1020x40 mm

Profile: silver anodized aluminium

Integrated side-mounted actuator for adjusting the brightness

Safety Film

Rear panel in ABS and aluminium

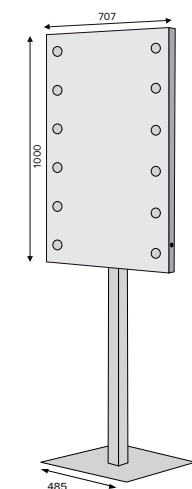
Support stand in anodized aluminium

Methacrylate shelf

Voltage: 110-240 V AC, 50/60Hz

Insulation class: Class 1

Power consumption: 50W MAX



Furnish the commercial spaces



Furnish the bathroom





MDE100

Design: **Cantoni**

High-tech, 4 mm thick mirror with **12 I-light lenses** set into the mirror

Dimensions: Diameter 1000x44 mm

Structure in shaped MDF, edging in silver veneer

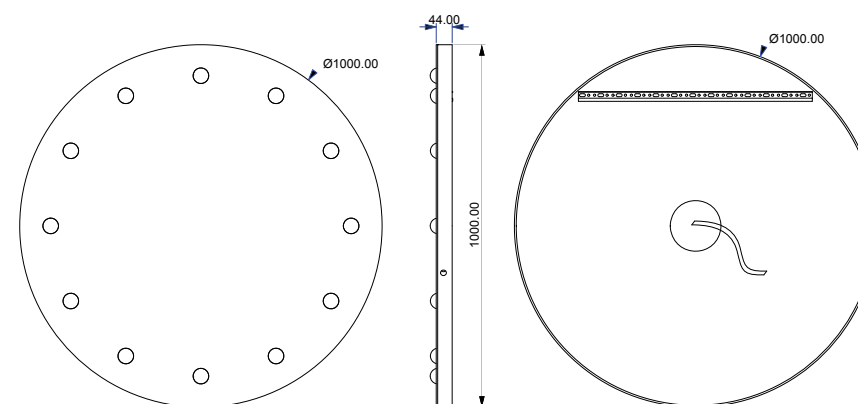
Integrated side-mounted actuator for adjusting the brightness

Safety Film

Voltage: 110-240 V AC, 50/60Hz

Insulation class: Class 1

Power consumption: 50W MAX





MDE80

Design: **Cantoni**

High-tech, 4 mm thick mirror with **6 I-light lenses** set into the mirror

Dimensions: Diameter 800x44 mm

Structure in shaped MDF, edging in silver veneer

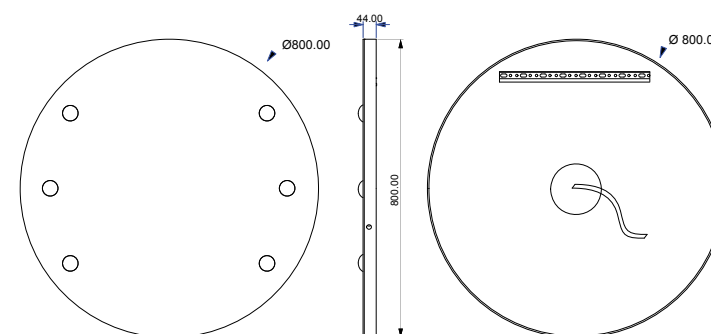
Integrated side-mounted actuator for adjusting the brightness

Safety Film

Voltage: 110-240 V AC, 50/60Hz

Insulation class: Class 1

Power consumption: 25W MAX



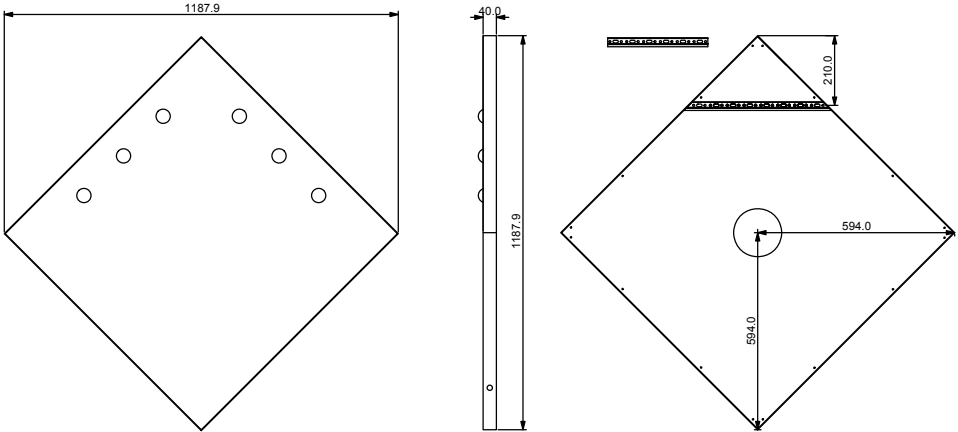


MDE840RA

Design: **Cantoni**

High-tech, 4 mm thick mirror with **6 I-light lenses** set into the mirror
 Dimensions: 840X840x40 mm
 Profile: silver anodized aluminium
 Integrated side-mounted actuator for adjusting the brightness
 Safety Film

Voltage: 110-240 V AC, 50/60Hz
 Insulation class: Class 1
 Power consumption: 25W MAX





MDE840RC

Design: **Cantoni**

High-tech, 4 mm thick mirror with **6 I-light lenses** set into the mirror

Dimensions: 840X840x40 mm

Profile: silver anodized aluminium

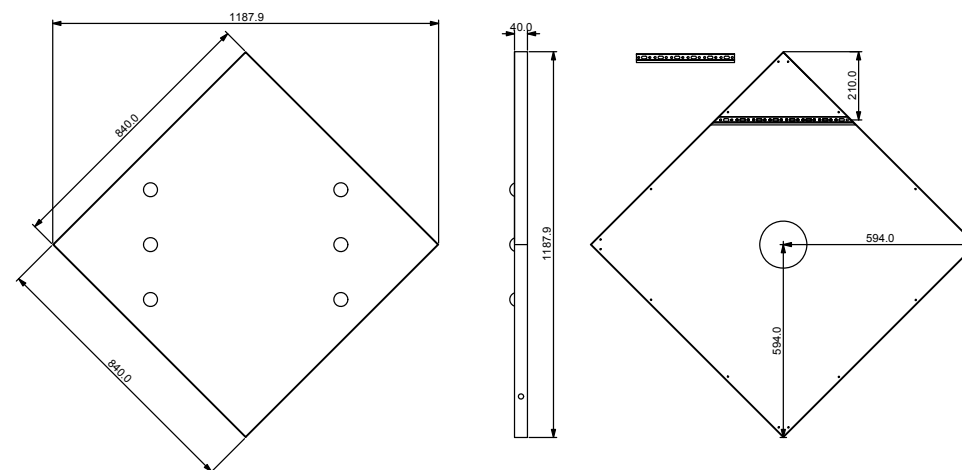
Integrated side-mounted actuator for adjusting the brightness

Safety Film

Voltage: 110-240 V AC, 50/60Hz

Insulation class: Class 1

Power consumption: 25W MAX



FINISHES
MDE line





Standard Anodized Finish

ACH
Matt chemical silver

* Non-standard and not available for MDE100 and MDE80

Non-standard paint finishes



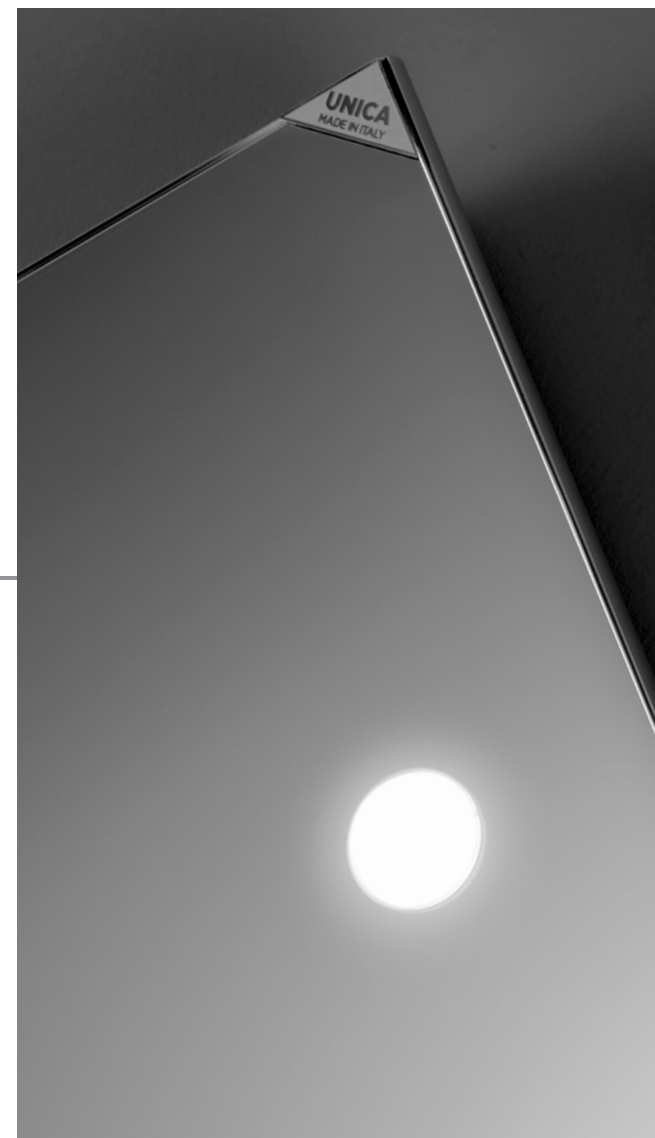
Matt or glossy paint
(Ref. RAL range of colours)

Gold

Cantoni will assess feasibility, methods, costs and times for the customisation of products on a case-by-case basis.

TECHNICAL SHEET

MDE line



STRUCTURE

6060-T5 non-deformable aluminium

- . Made-to-measure and made-to-order products too
- . Side-by-side modular elements
- . Also available without lights
- . Min. size 410mm
- . Max. size 1850mm
- . Max. 30 I-light lighting sources

MIRRORS

10 times more resistant to corrosion - 3 times more resistant to scratches compared to conventional mirrors Does not contain copper or formaldehyde and complies with the criteria set forth in the European - RoHS Directive (< 0.1% of lead)

Long-lasting in typically damp environments

Safety Film

I-LIGHT TECHNOLOGY (patented)

The light lenses, set directly into the reflective surface, cut with high-precision instruments, diffuse light generated by I-Light technology incorporated into the structure of the mirror.



Each I-LIGHT module is composed of three light lenses.

Each mirror has at least six lenses, composed of two I-LIGHT modules with three light lenses each.

Up to thirty lenses can be fitted, composed of ten I-LIGHT modules with three light lenses each.

Light gradation 4200° kelvin

Guaranteed life cycle: 100,000/h

Low energy consumption

Photobiological hazard: none

Actuator:

Quick touch = on/off the light

Press and hold = brightness +/-



NO blue light



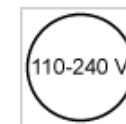
Light adjustment



Safety Film



4200 K



Input 110-240 V



Low energy



No bulbs required



I-Light European patent



CE conformity



Easy to assemble



Handmade products



Italian production

TECHNICAL SPECIFICATIONS FOR THE DEVICE

TYPE:	Mirror with 6 light points	Mirror with 9 light points	Mirror with 12 light points	Mirror with 18 light points	Mirror with 21 light points	Mirror with 24 light points	Mirror with 30 light points
MODEL:	MDE80 MDE840RA MDE840RC	On request	MDE502- MDE505 MDE100 - MDE518	On request	On request	MDE516	On request
VOLTAGE:	110/240 Vac 50/60 Hz	110/240 Vac 50/60 Hz	110/240 Vac 50/60 Hz	110/240 Vac 50/60 Hz	110/240 Vac 50/60 Hz	110/240 Vac 50/60 Hz	110/240 Vac 50/60 Hz
CURRENT:	106 mA max	159 mA max	212 mA max	318 mA max	370 mA max	424 mA max	560 mA max
POWER:	25 W max	38 W max	50 W max	75 W max	88 W max	100 W max	125 W max
POWER FACTOR 240Vac, 60Hz:	Cosφ = 0,95	Cosφ = 0,95	Cosφ = 0,95	Cosφ = 0,95	Cosφ = 0,95	Cosφ = 0,95	Cosφ = 0,95

The light source contained in this equipment may only be replaced by the manufacturer , its service department or equivalent qualified personnel.

Device for indoor use only , IP20

The device is designed to operate within a temperature range of 0-40°C (Ta)

The electrical output cable of the mirror is not equipped with the plug: it needs to be connected to the electrical wiring of the room.

LED SOURCE CHARACTERISTICS:

- . Trademark: CANTONI TRADING SRL
- . Power voltage and tension: 28.3 Vdc, 0.325A
- . Total nominal power: 9.2 W
- . Position and purpose of the connections: on the LED module
- . tc: 55°C
- . Photobiological hazard: none

CE conformity declaration

Complies with the essential requirements of EU directives applicable to the product: Low Voltage Directive 2014/35/EU, Electromagnetic Compatibility Directive 2014/30/EU and ROHS Directive 2011/65/EU, when installed in compliance with these instructions..

All products by Cantoni are made in Italy with carefully selected materials.

Each product is the result of a careful study to ensure the best balance between aesthetics and technology.
The authenticity of each piece by Cantoni is ensured by our trademark.

We are always available to respond to every request and question about products.
Our technical department is then available for custom projects

PLEASE NOTE:

Cantoni reserves the right to modify at any time the items in the catalogue for technical or commercial purposes.
Shipments are made from our offices in San Marino

CANTONI TRADING SRL

Headquarters and Showroom

Via Guardia di Rocca 10 - 47899 Galazzano - Rep. San Marino

Tel. +378 0549 977527 - Fax +378 0549 876501

sales@lineaunica.com

www.lineaunica.com